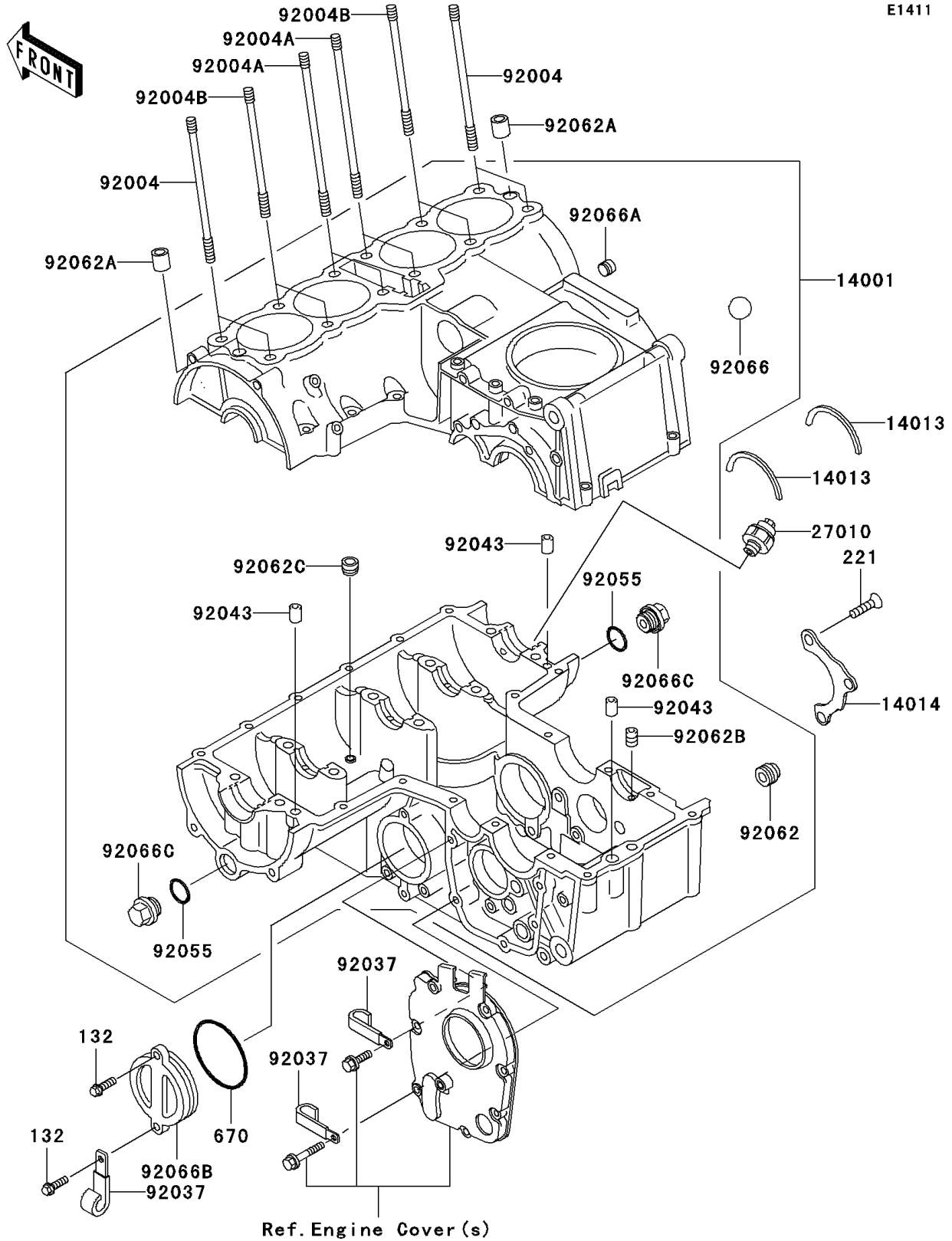


# 2002 ZR-7S PARTS DIAGRAM

Crankcase



## 2002 ZR-7S PARTS LIST

### Crankcase

ITEM NAME	PART NUMBER	QUANTITY
BOLT-FLANGED-SMALL (Ref # 132)	132Y0620	2
SCREW-CSK-CROS,6X20 (Ref # 221)	221B0620	1
O RING,46MM (Ref # 670)	670E3046	1
SET-CRANKCASE (Ref # 14001)	14001-5370	1
RING-POSITION (Ref # 14013)	14013-004	2
PLATE-POSITION,SECONDARY SHAFT (Ref # 14014)	14014-1007	1
SWITCH,OIL PRESSURE (Ref # 27010)	27010-1313	1
STUD,10X133 (Ref # 92004)	92004-1231	4
STUD,10X153 (Ref # 92004A)	92004-1232	4
STUD,10X116 (Ref # 92004B)	92004-1233	4
CLAMP,L=60 (Ref # 92037)	92037-1069	3
PIN,DOWEL,10X14 (Ref # 92043)	92043-1037	3
RING-O (Ref # 92055)	92055-1146	2
NOZZLE (Ref # 92062)	92062-014	1
NOZZLE (Ref # 92062A)	92062-016	2
NOZZLE,6X8,SILVER (Ref # 92062B)	92062-1081	1
NOZZLE,5X6,SILVER (Ref # 92062C)	92062-1086	4
PLUG,RUBBER BALL,6.7 (Ref # 92066)	92066-057	1
PLUG (Ref # 92066A)	92066-1005	1
PLUG,SECONDARY SHAFT,52X19 (Ref # 92066B)	92066-1019	1
PLUG,MAIN GALLERY,18X9,BLACK (Ref # 92066C)	92066-1096	2