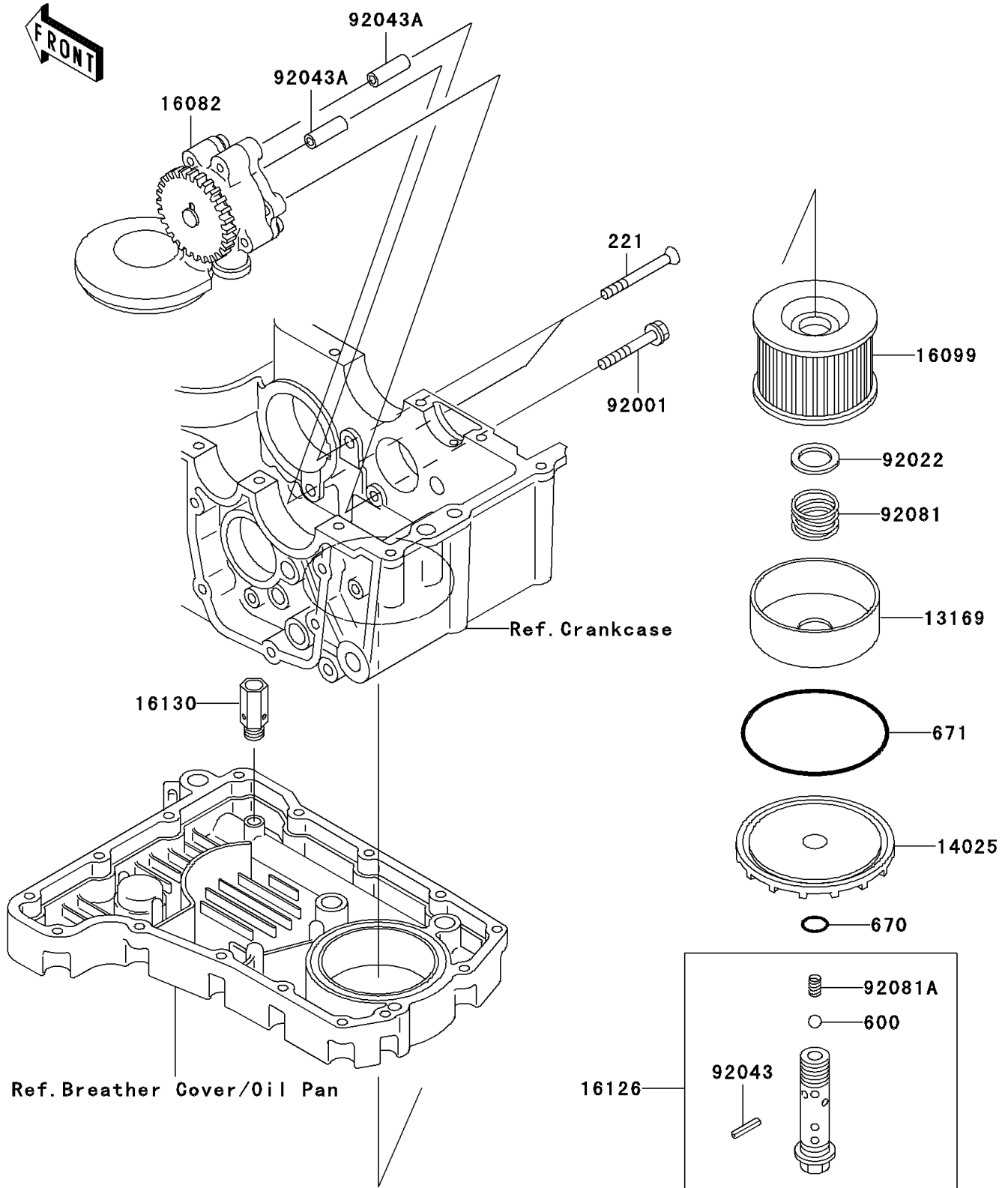


# 2004 ZR-7S (Canada Only) PARTS DIAGRAM

Oil Pump/Oil Filter

E1710



## 2004 ZR-7S (Canada Only) PARTS LIST

### Oil Pump/Oil Filter

| ITEM NAME                              | PART NUMBER | QUANTITY |
|--|-------------|----------|
| SCREW-CSK-CROS,6X55 (Ref # 221)        | 221B0655    | 2        |
| BALL-STEEL,3/8" (Ref # 600)            | 600A1200    | 1        |
| O RING,16MM (Ref # 670)                | 670B2016    | 1        |
| O RING,90MM (Ref # 671)                | 671B2590    | 1        |
| PLATE,OIL FILTER (Ref # 13169)         | 13169-1110  | 1        |
| COVER,OIL FILTER,F.BLACK (Ref # 14025) | 14025-1422  | 1        |
| PUMP-ASSY-OIL (Ref # 16082)            | 16082-1158  | 1        |
| ELEMENT-OIL FILTER (Ref # 16099)       | 16099-003   | 1        |
| VALVE,OIL FILTER (Ref # 16126)         | 16126-1108  | 1        |
| VALVE-ASSY-RELIEF (Ref # 16130)        | 16130-1058  | 1        |
| BOLT,FLANGED,6X45 (Ref # 92001)        | 92001-165   | 1        |
| WASHER,20.5X30X1 (Ref # 92022)         | 92022-1012  | 1        |
| PIN,SPRING,2X20 (Ref # 92043)          | 92043-111   | 1        |
| PIN (Ref # 92043A)                     | 92043-1603  | 2        |
| SPRING,OIL FILTER (Ref # 92081)        | 92081-1018  | 1        |
| SPRING (Ref # 92081A)                  | 92081-109   | 1        |