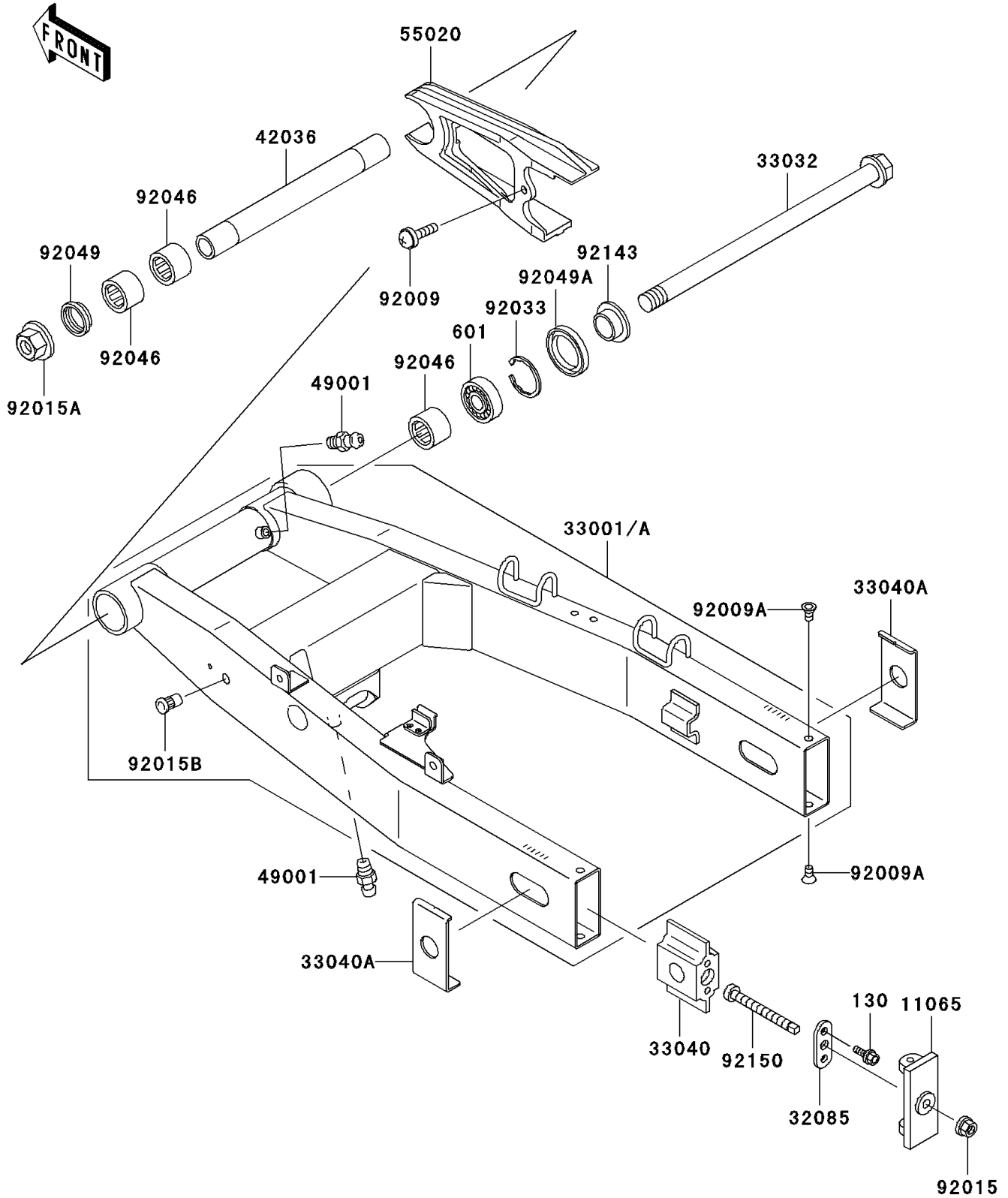


2003 ZR-7S PARTS DIAGRAM

Swingarm

F2141



2003 ZR-7S PARTS LIST

Swingarm

ITEM NAME	PART NUMBER	QUANTITY
BOLT-FLANGED (Ref # 130)	130P0616	4
BEARING-BALL,#6004 (Ref # 601)	601A6004	1
CAP,CHAIN ADJUSTER,SILVER (Ref # 11065)	11065-1132-CE	2
STOPPER,CHAIN ADJUSTER (Ref # 32085)	32085-1408	2
ARM-COMP-SWING,BLACK (Ref # 33001A)	33001-1569-10	1
SHAFT-SWING ARM (Ref # 33032)	33032-1142	1
ADJUSTER-CHAIN,INNER (Ref # 33040)	33040-1142	2
ADJUSTER-CHAIN,OUTER (Ref # 33040A)	33040-1143	2
SLEEVE,SWING ARM,L=219.5 (Ref # 42036)	42036-1358	1
NIPPLE-GREASE (Ref # 49001)	49001-0001	2
GUARD,CHAIN (Ref # 55020)	55020-1690	1
SCREW,6X22 (Ref # 92009)	92009-1664	1
SCREW,6X12 (Ref # 92009A)	92009-1894	4
NUT,FLANGED,8MM (Ref # 92015)	92015-1406	2
NUT,FLANGED,20MM (Ref # 92015A)	92015-1724	1
NUT,POP,6MM,L=15 (Ref # 92015B)	92015-1791	1
RING-SNAP,42MM (Ref # 92033)	92033-1041	1
BEARING-NEEDLE,BM2817 (Ref # 92046)	92046-1111	3
SEAL-OIL (Ref # 92049)	92049-1181	1
SEAL-OIL,TC28426.5 (Ref # 92049A)	92049-1185	1
COLLAR,SWING ARM,RH,L=12.5 (Ref # 92143)	92143-1727	1
BOLT,CHAIN ADJUSTER (Ref # 92150)	92150-1285	2