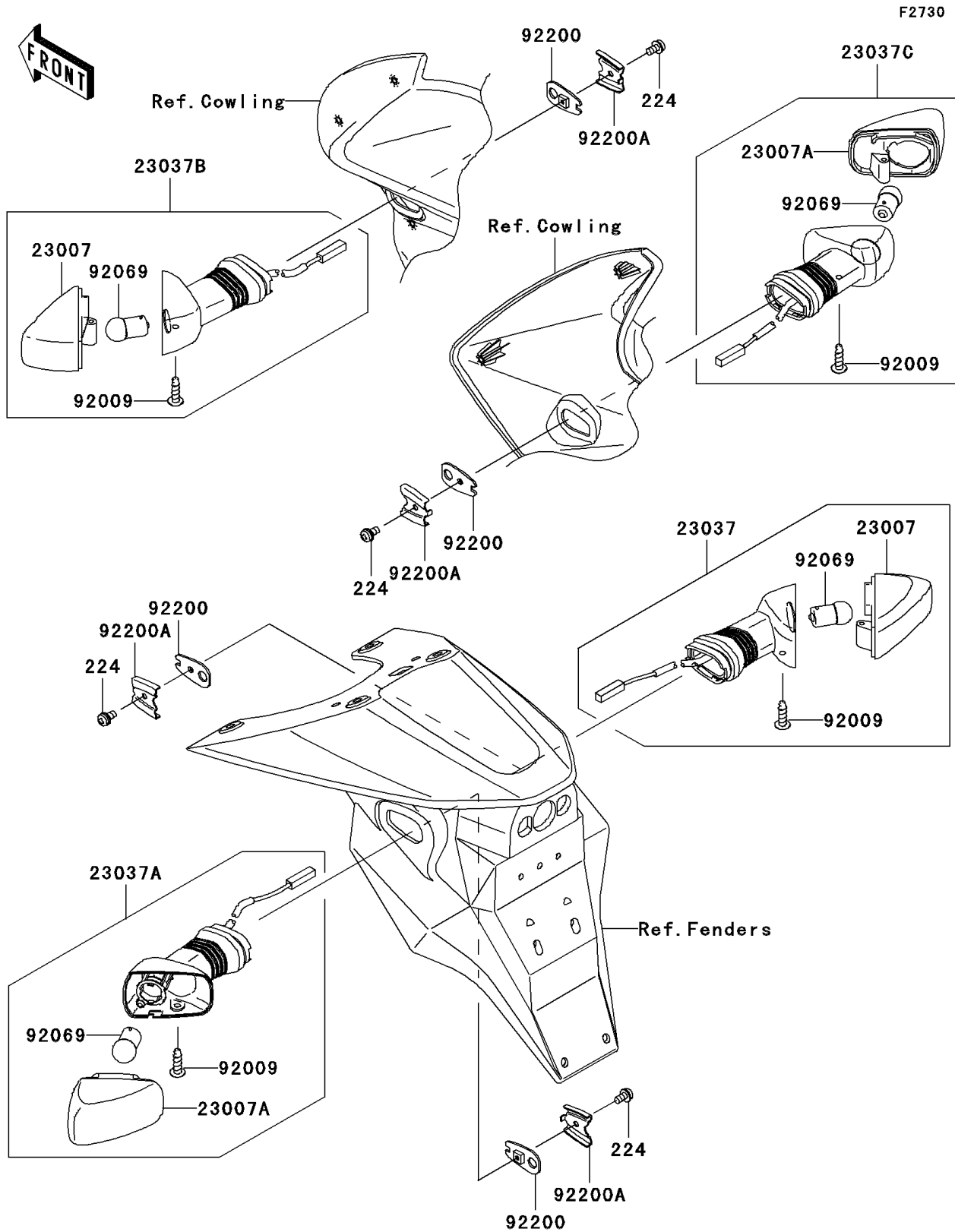


# 2005 Z750S PARTS DIAGRAM

## Turn Signals



## 2005 Z750S PARTS LIST

### Turn Signals

| ITEM NAME                             | PART NUMBER | QUANTITY |
|---------------------------------------|-------------|----------|
| SCREW-PAN-WP-CROS,4X8 (Ref # 224)     | 224C0408    | 4        |
| LENS-COMP,SIGNAL LAMP (Ref # 23007)   | 23007-0039  | 2        |
| LENS-COMP,SIGNAL LAMP (Ref # 23007A)  | 23007-0040  | 2        |
| LAMP-ASSY-SIGNAL,RR,RH (Ref # 23037)  | 23037-0061  | 1        |
| LAMP-ASSY-SIGNAL,RR,LH (Ref # 23037A) | 23037-0062  | 1        |
| LAMP-ASSY-SIGNAL,FR,LH (Ref # 23037B) | 23037-0068  | 1        |
| LAMP-ASSY-SIGNAL,FR,RH (Ref # 23037C) | 23037-0069  | 1        |
| SCREW,4X16,BLACK (Ref # 92009)        | 92009-1158  | 4        |
| BULB,12V 10W (Ref # 92069)            | 92069-0003  | 4        |
| WASHER,SIGNAL LAMP (Ref # 92200)      | 92200-0164  | 4        |
| WASHER,SIGNAL LAMP (Ref # 92200A)     | 92200-0165  | 4        |