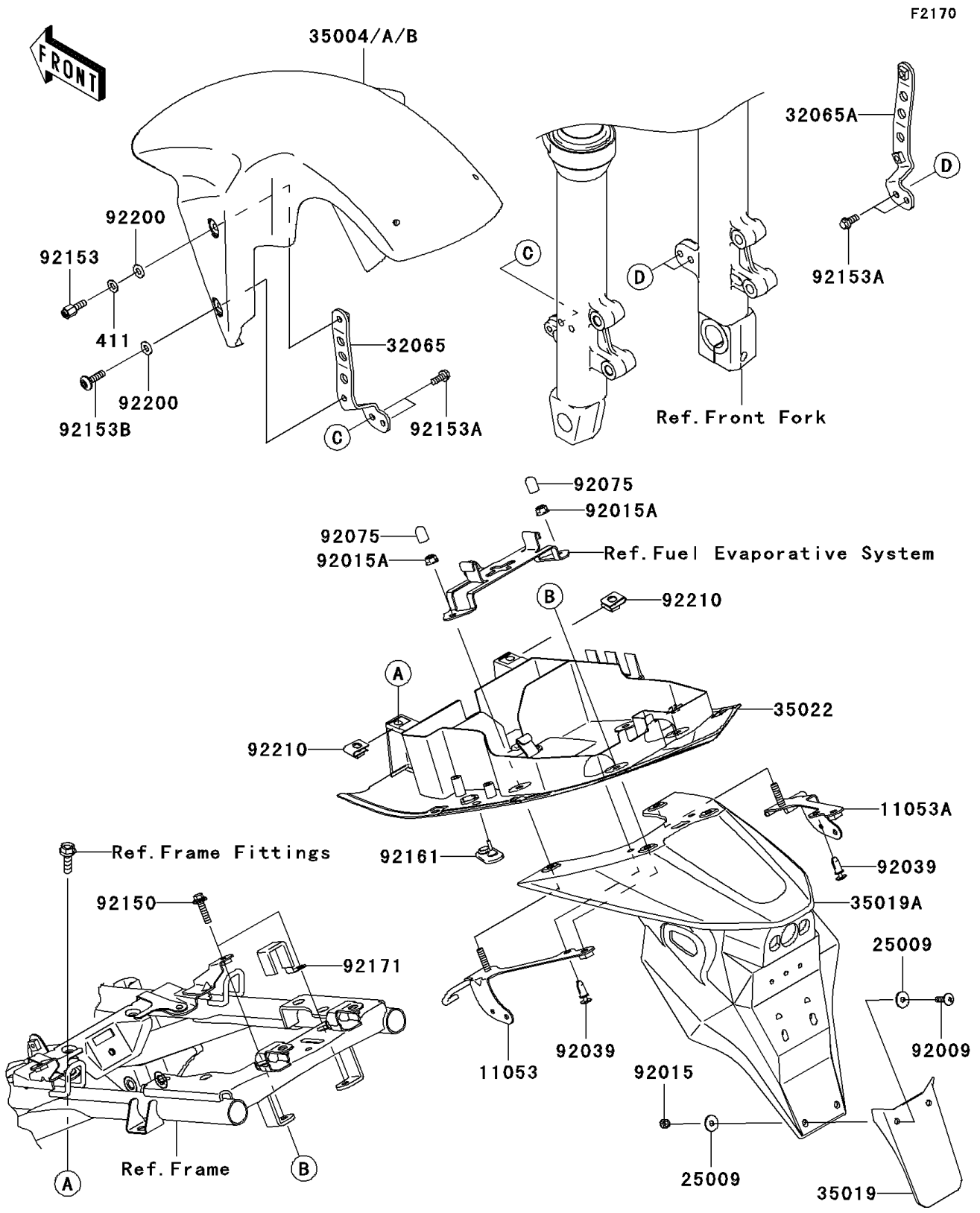


2006 Z750S PARTS DIAGRAM

Fenders



2006 Z750S PARTS LIST

Fenders

ITEM NAME	PART NUMBER	QUANTITY
WASHER-PLAIN,6MM,BLACK (Ref # 411)	411F0600	2
BRACKET,FLAP,LH (Ref # 11053)	11053-0060	1
BRACKET,FLAP,RH (Ref # 11053A)	11053-0061	1
WASHER,5.2X16X1.2 (Ref # 25009)	25009-004	4
BRACKET-FENDER,LH (Ref # 32065)	32065-0002	1
BRACKET-FENDER,RH (Ref # 32065A)	32065-0003	1
FENDER-FRONT,M.S.BLACK (Ref # 35004B)	35004-0024-660	1
FLAP (Ref # 35019)	35019-0006	1
FLAP,REAR FENDER (Ref # 35019A)	35019-0007	1
FENDER-COMP-REAR (Ref # 35022)	35022-0026	1
SCREW,5X14 (Ref # 92009)	92009-1653	2
NUT,LOCK,5MM (Ref # 92015)	92015-1221	2
NUT,LOCK,FLANGED,6MM (Ref # 92015A)	92015-1603	2
RIVET (Ref # 92039)	92039-1286	2
DAMPER,SIDE COVER (Ref # 92075)	92075-1964	2
BOLT,6X25 (Ref # 92150)	92150-1829	2
BOLT,6MM (Ref # 92153)	92153-0476	2
BOLT,FLANGED,6X14 (Ref # 92153A)	92153-0589	4
BOLT,SOCKET,6X23 (Ref # 92153B)	92153-1267	2
DAMPER,REAR FENDER (Ref # 92161)	92161-0298	1
CLAMP (Ref # 92171)	92171-0488	1
WASHER,6.5X14X1 (Ref # 92200)	92200-1388	4
NUT (Ref # 92210)	92210-0130	2
FENDER-FRONT,BLUE (Ref # 35004)	35004-0024-10E	1
FENDER-FRONT,G.SILVER (Ref # 35004A)	35004-0024-474	1