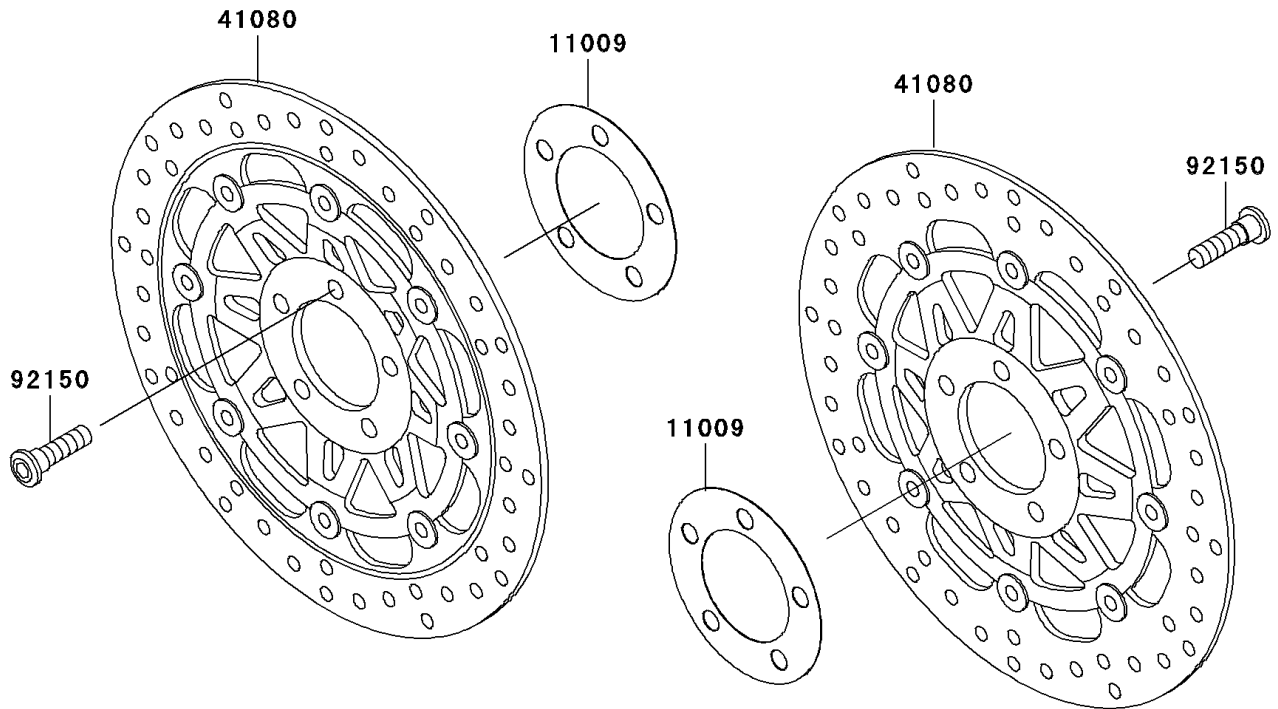
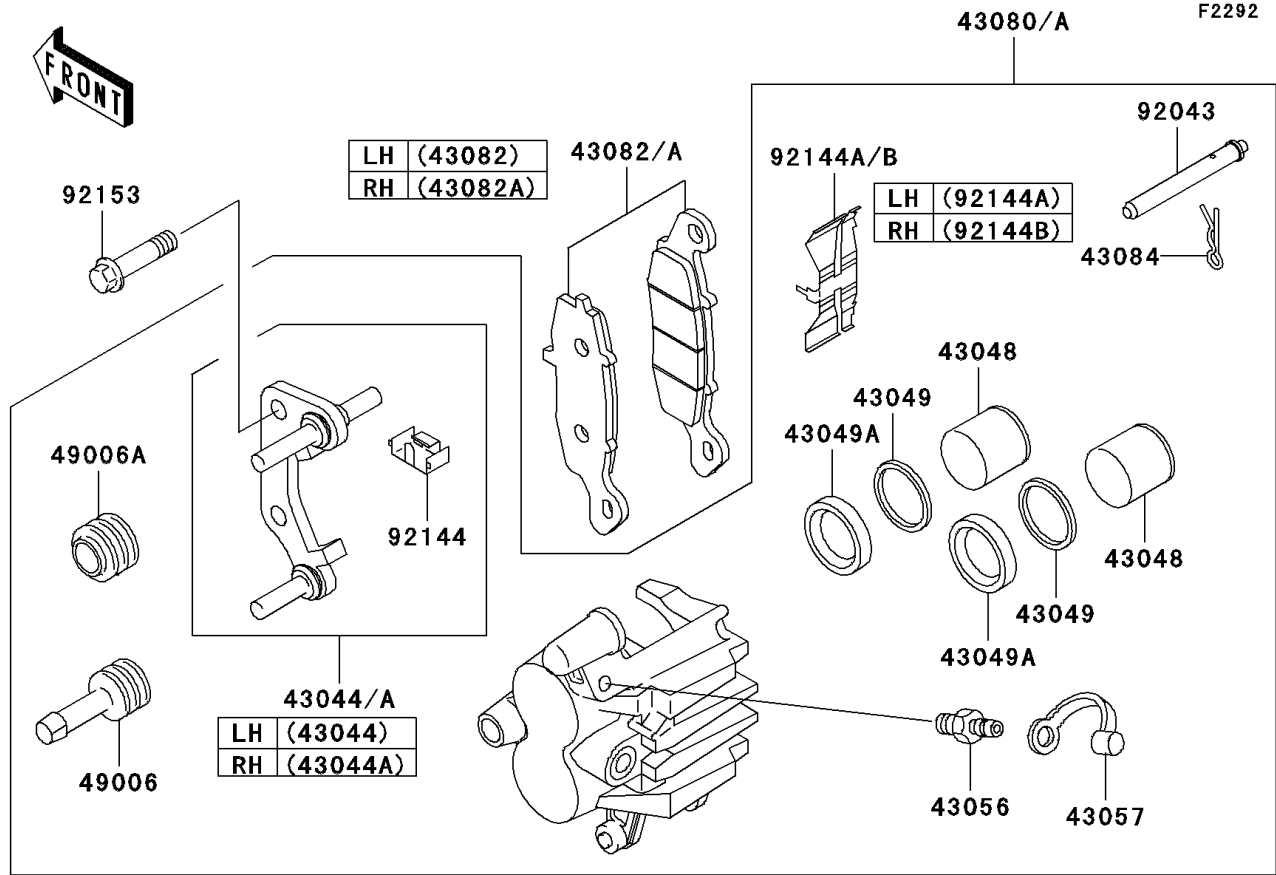


2006 Z750S PARTS DIAGRAM

Front Brake



2006 Z750S PARTS LIST

Front Brake

| ITEM NAME | PART NUMBER | QUANTITY |
|---|---------------|----------|
| GASKET,DISC PLATE (Ref # 11009) | 11009-1754 | 2 |
| DISC,FR,SILVER+DISC-SILVER (Ref # 41080) | 41080-0045-S6 | 2 |
| HOLDER-COMP-CALIPER,FR,LH (Ref # 43044) | 43044-1115 | 1 |
| HOLDER-COMP-CALIPER (Ref # 43044A) | 43044-1116 | 1 |
| PISTON-CALIPER (Ref # 43048) | 43048-1073 | 4 |
| PACKING (Ref # 43049) | 43049-1068 | 4 |
| PACKING,PISTON SEAL (Ref # 43049A) | 43049-1092 | 4 |
| BREATHER-BRAKE (Ref # 43056) | 43056-1054 | 2 |
| CAP-BREATHER (Ref # 43057) | 43057-003 | 2 |
| CALIPER-SUB-ASSY,FR,RH,BLACK (Ref # 43080) | 43080-5015-DJ | 1 |
| CALIPER-SUB-ASSY,FR,LH,BLACK (Ref # 43080A) | 43080-5017-DJ | 1 |
| PAD-ASSY-BRAKE,LH (Ref # 43082) | 43082-0044 | 1 |
| PAD-ASSY-BRAKE,RH (Ref # 43082A) | 43082-0045 | 1 |
| CLAMP,PAD (Ref # 43084) | 43084-003 | 2 |
| BOOT,CALIPER (Ref # 49006) | 49006-1054 | 2 |
| BOOT,CALIPER (Ref # 49006A) | 49006-1095 | 2 |
| PIN,PAD (Ref # 92043) | 92043-1489 | 2 |
| SPRING,STOPPER (Ref # 92144) | 92144-1831 | 2 |
| SPRING,PAD,LH (Ref # 92144A) | 92144-1832 | 1 |
| SPRING,PAD,RH (Ref # 92144B) | 92144-1844 | 1 |
| BOLT,SOCKET,8X30 (Ref # 92150) | 92150-1771 | 10 |
| BOLT,FLANGED,10X41 (Ref # 92153) | 92153-0587 | 4 |