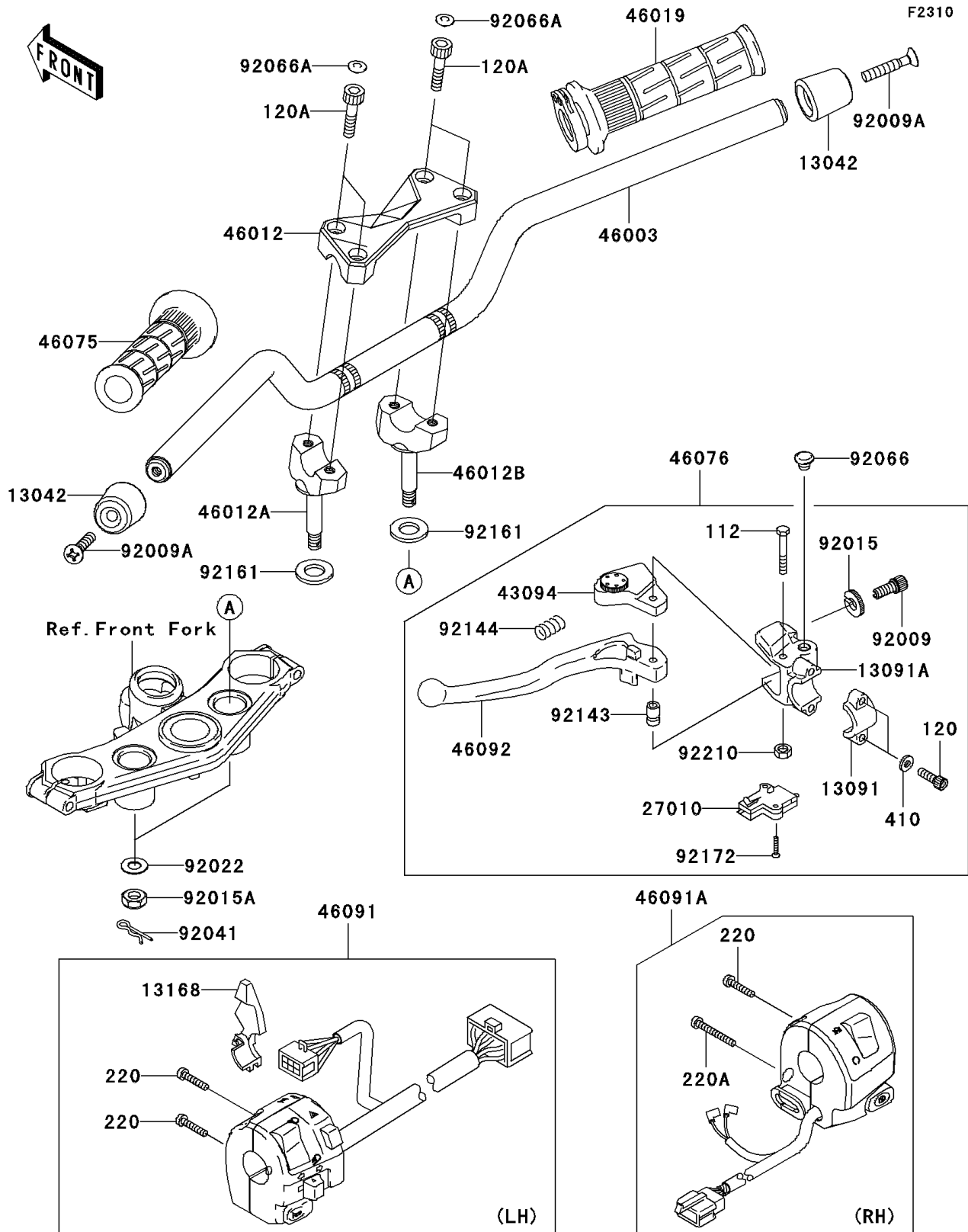


2006 Z750S PARTS DIAGRAM

Handlebar



2006 Z750S PARTS LIST

Handlebar

ITEM NAME	PART NUMBER	QUANTITY
BOLT-UPSET,6X40 (Ref # 112)	112C0640	1
BOLT-SOCKET,6X20 (Ref # 120)	120S0620	2
BOLT-SOCKET,8X30 (Ref # 120A)	120S0830	4
SCREW-PAN-CROS,5X25 (Ref # 220)	220C0525	3
SCREW-PAN-CROS,5X40 (Ref # 220A)	220C0540	1
WASHER-PLAIN-SMALL,6MM,BLACK (Ref # 410)	410F0600	2
WEIGHT,HANDLE (Ref # 13042)	13042-1005	2
HOLDER,CLUTCH LEVER (Ref # 13091)	13091-1624	1
HOLDER,CLUTCH LEVER (Ref # 13091A)	13091-1652	1
LEVER,CHOKE (Ref # 13168)	13168-1516	1
SWITCH,CLUTCH,BLACK (Ref # 27010)	27010-1094	1
ADJUSTER,CLUTCH LEVER (Ref # 43094)	43094-1053	1
HANDLE (Ref # 46003)	46003-0071	1
HOLDER-HANDLE,UPP (Ref # 46012)	46012-1338	1
HOLDER-HANDLE,LWR,LH (Ref # 46012A)	46012-1339	1
HOLDER-HANDLE,LWR,RH (Ref # 46012B)	46012-1340	1
GRIP-ASSY,THROTTLE (Ref # 46019)	46019-0001	1
GRIP,LH (Ref # 46075)	46075-1144	1
LEVER-ASSY-GRIP,CLUTCH (Ref # 46076)	46076-1180	1
HOUSING-ASSY-CONTROL,LH (Ref # 46091)	46091-0055	1
HOUSING-ASSY-CONTROL,RH (Ref # 46091A)	46091-1891	1
LEVER-GRIP,CLUTCH (Ref # 46092)	46092-1162	1
SCREW,CABLE ADJUST,8MM,BLACK (Ref # 92009)	92009-1134	1
SCREW,8X45 (Ref # 92009A)	92009-1257	2
NUT,CABLE ADJUST LOCK,8MM,BLK (Ref # 92015)	92015-1197	1
NUT,LOCK,10MM (Ref # 92015A)	92015-1962	2
WASHER,10.2X28X2 (Ref # 92022)	92022-1088	2
COTTER,8MM (Ref # 92041)	92041-1060	2
PLUG,9.5X8,POLYETHYLENE (Ref # 92066)	92066-1077	1

2006 Z750S PARTS LIST

Handlebar

ITEM NAME	PART NUMBER	QUANTITY
PLUG (Ref # 92066A)	92066-1216	4
COLLAR (Ref # 92143)	92143-1379	1
SPRING (Ref # 92144)	92144-1467	1
DAMPER (Ref # 92161)	92161-0037	2
SCREW,3X16 (Ref # 92172)	92172-0183	2
NUT,LOCK,6MM (Ref # 92210)	92210-0006	1