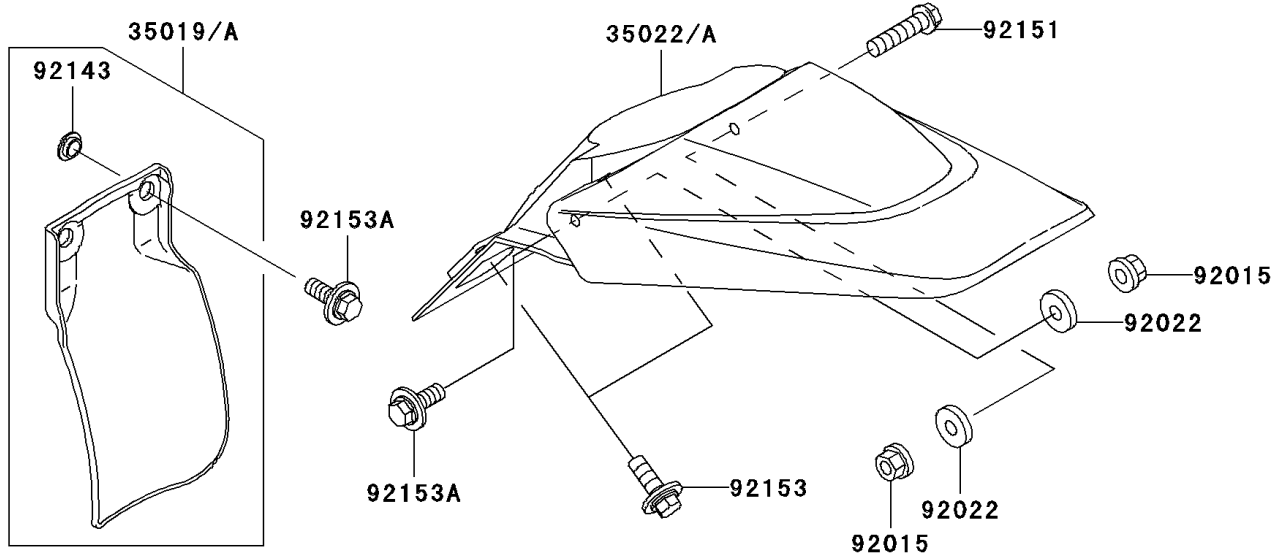
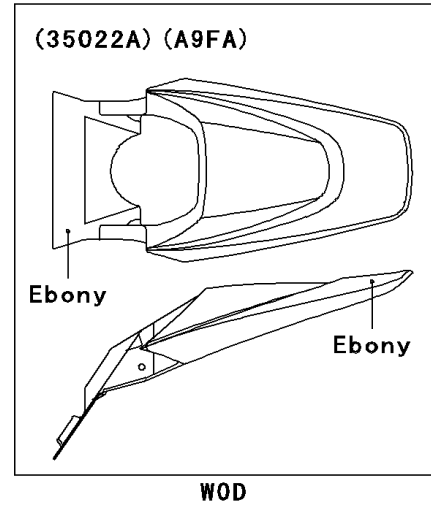
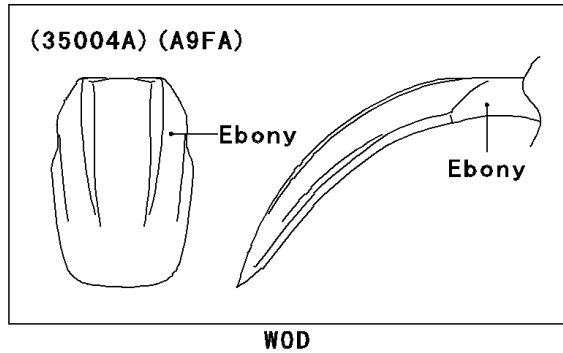
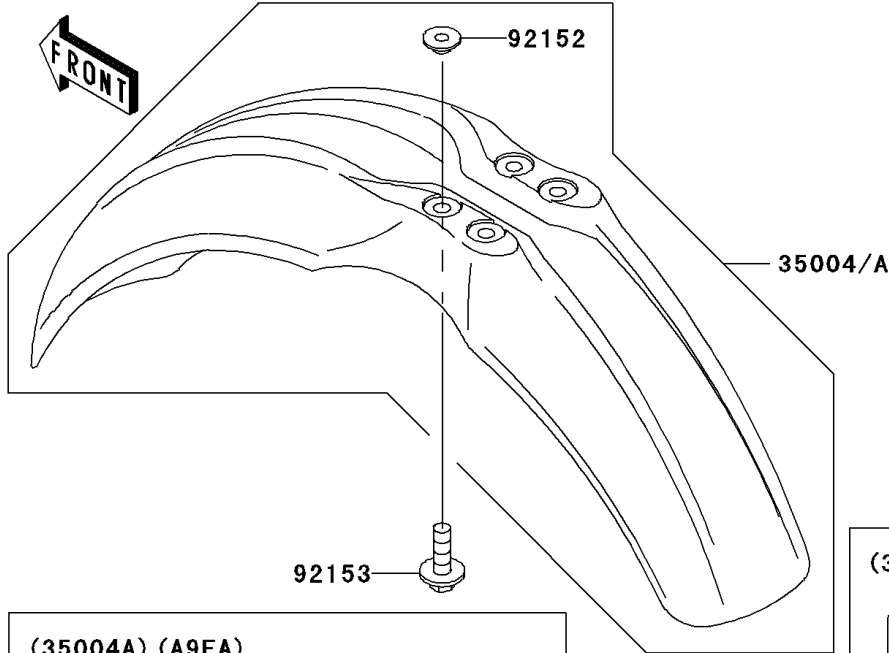


# 2008 KX™ 65 PARTS DIAGRAM

Fenders

F2170



## 2008 KX™ 65 PARTS LIST

### Fenders

| ITEM NAME                              | PART NUMBER    | QUANTITY |
|--|----------------|----------|
| FENDER-FRONT,L.GREEN (Ref # 35004)     | 35004-1416-290 | 1        |
| FLAP,REAR FENDER,WHITE (Ref # 35019)   | 35019-1395-RZ  | 1        |
| FENDER-COMP-REAR,L.GREEN (Ref # 35022) | 35022-1342-290 | 1        |
| NUT,FLANGED,6MM (Ref # 92015)          | 92015-1078     | 2        |
| WASHER,6.5X20X1.6 (Ref # 92022)        | 92022-125      | 2        |
| COLLAR (Ref # 92143)                   | 92143-1196     | 2        |
| BOLT,FLANGED-SMALL,6X25 (Ref # 92151)  | 92151-1930     | 1        |
| COLLAR (Ref # 92152)                   | 92152-1255     | 4        |
| BOLT,6X20 (Ref # 92153)                | 92153-0502     | 6        |
| BOLT,6X16 (Ref # 92153A)               | 92153-0863     | 3        |