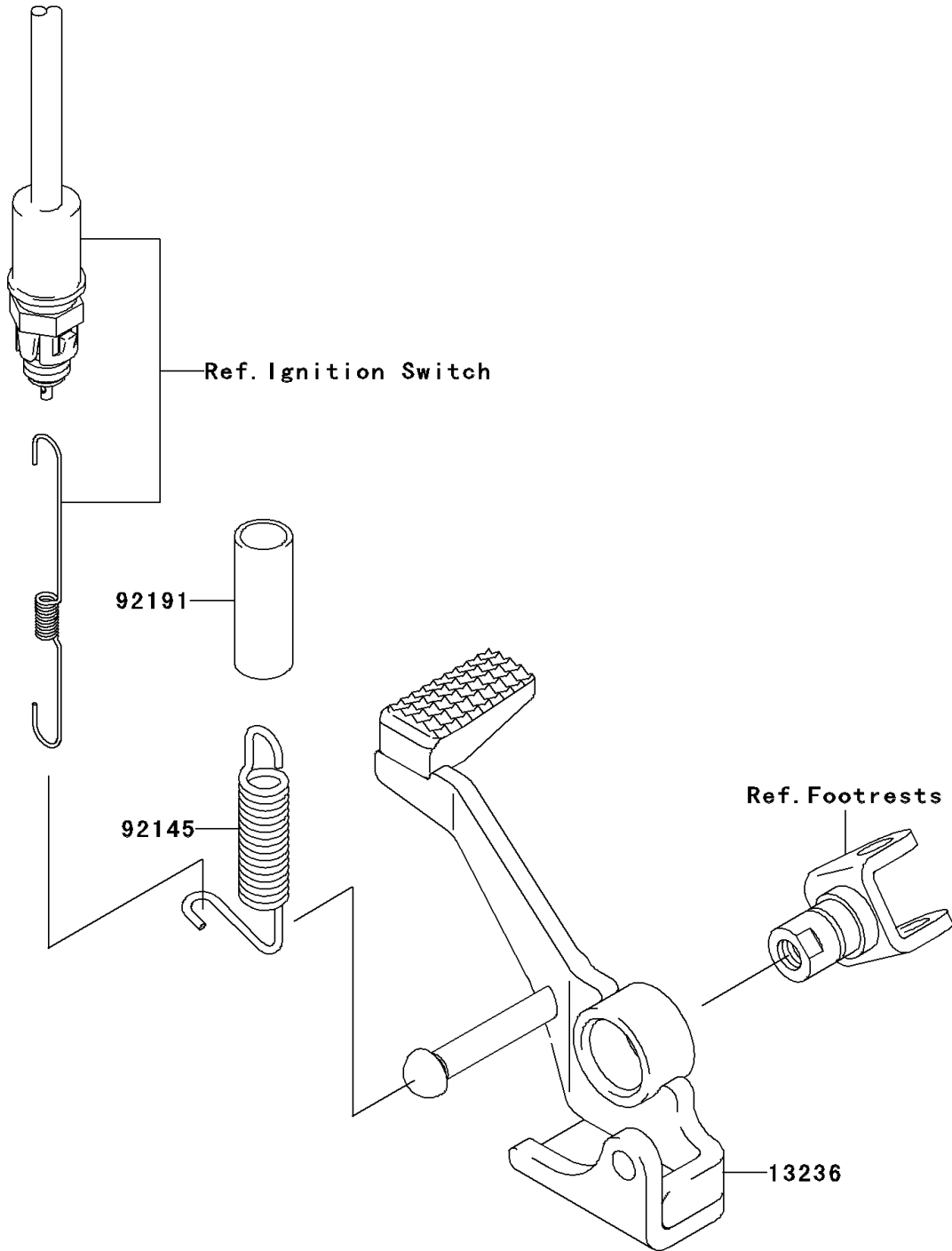


2009 Z750 (European) PARTS DIAGRAM

Brake Pedal

F2260



2009 Z750 (European) PARTS LIST

Brake Pedal

ITEM NAME	PART NUMBER	QUANTITY
LEVER-COMP,BRAKE PEDAL (Ref # 13236)	13236-0143	1
SPRING,BRAKE PEDAL RETURN (Ref # 92145)	92145-0435	1
TUBE,12X15X40 (Ref # 92191)	92191-1739	1