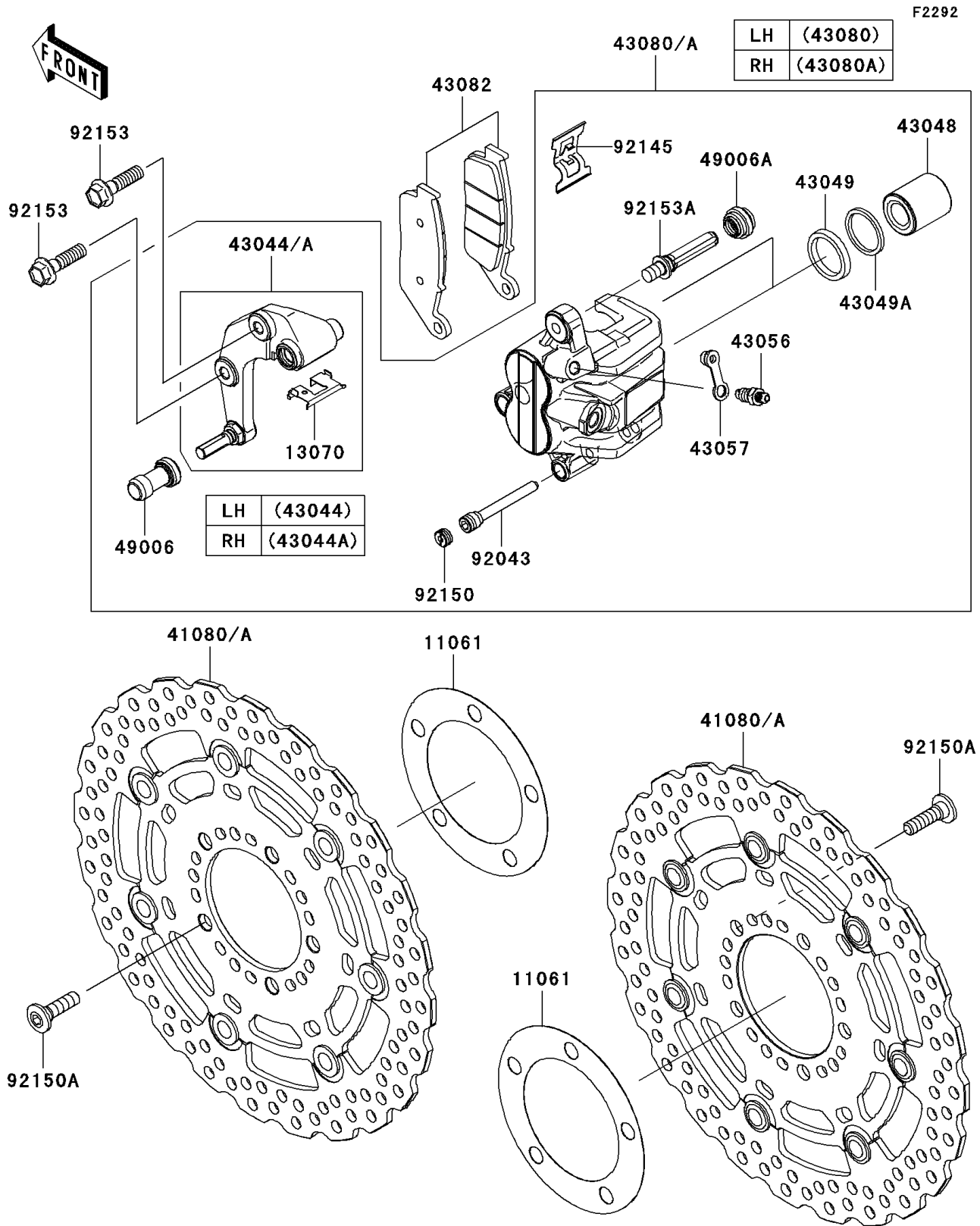


# 2010 Z750 (European) PARTS DIAGRAM

Front Brake



## 2010 Z750 (European) PARTS LIST

### Front Brake

ITEM NAME	PART NUMBER	QUANTITY
GASKET,DISC PLATE (Ref # 11061)	11061-0029	2
GUIDE,BRAKE PAD (Ref # 13070)	13070-0077	2
DISC,FR,HOUSING BLK+DISC SIL (Ref # 41080A)	41080-0173-11I	2
HOLDER-COMP-CALIPER,FR,LH (Ref # 43044)	43044-0024	1
HOLDER-COMP-CALIPER,FR,RH (Ref # 43044A)	43044-0025	1
PISTON-CALIPER (Ref # 43048)	43048-1068	4
PACKING,PISTON SEAL (Ref # 43049)	43049-1060	4
PACKING,PISTON SEAL (Ref # 43049A)	43049-1061	4
BREATHER (Ref # 43056)	43056-1055	2
CAP-BREATHER (Ref # 43057)	43057-1001	2
CALIPER-SUB-ASSY,FR,LH,BLACK (Ref # 43080)	43080-0054-DJ	1
CALIPER-SUB-ASSY,FR,RH,BLACK (Ref # 43080A)	43080-0055-DJ	1
PAD-ASSY-BRAKE (Ref # 43082)	43082-0079	2
BOOT,CALIPER (Ref # 49006)	49006-1088	2
BOOT,CALIPER (Ref # 49006A)	49006-1242	2
PIN,HANGER (Ref # 92043)	92043-1520	2
SPRING,PAD (Ref # 92145)	92145-0524	2
BOLT,PLUG (Ref # 92150)	92150-1692	2
BOLT,SOCKET,8X30 (Ref # 92150A)	92150-1771	10
BOLT,FLANGED,8X30 (Ref # 92153)	92153-1089	4
BOLT (Ref # 92153A)	92153-1872	2