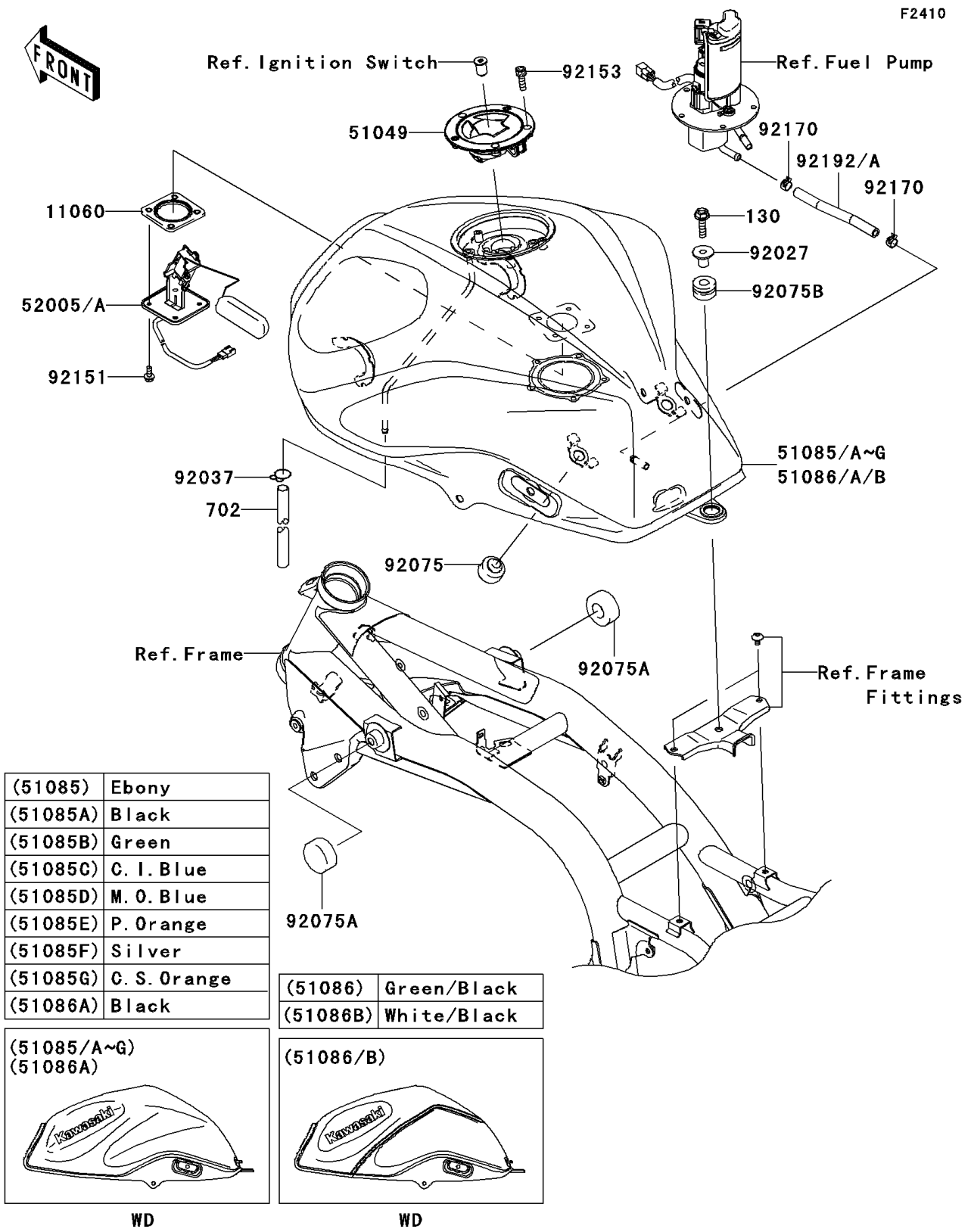


# 2007 Z750 (European) PARTS DIAGRAM

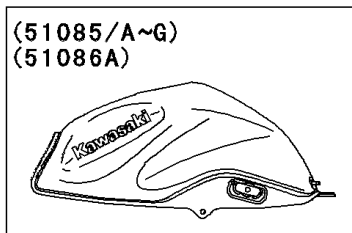
Fuel Tank



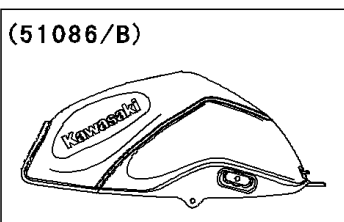
F2410

|          |              |
|----------|--------------|
| (51085)  | Ebony        |
| (51085A) | Black        |
| (51085B) | Green        |
| (51085C) | C. I. Blue   |
| (51085D) | M. O. Blue   |
| (51085E) | P. Orange    |
| (51085F) | Silver       |
| (51085G) | C. S. Orange |
| (51086A) | Black        |

|          |             |
|----------|-------------|
| (51086)  | Green/Black |
| (51086B) | White/Black |



WD



WD

## 2007 Z750 (European) PARTS LIST

### Fuel Tank

| ITEM NAME                               | PART NUMBER    | QUANTITY |
|---|----------------|----------|
| BOLT-FLANGED,8X30 (Ref # 130)           | 130BA0830      | 1        |
| TUBE-RUBBER,6X9X750 (Ref # 702)         | 702A06750      | 1        |
| GASKET,FUEL GAUGE (Ref # 11060)         | 11060-1952     | 1        |
| CAP-TANK,FUEL (Ref # 51049)             | 51049-0039     | 1        |
| TANK-COMP-FUEL,EBONY (Ref # 51085)      | 51085-5249-H8  | 1        |
| TANK-COMP-FUEL,C.L.GREEN (Ref # 51085B) | 51085-5249-17P | 1        |
| TANK-COMP-FUEL,SILVER (Ref # 51085F)    | 51085-5251-17M | 1        |
| GAUGE,FUEL (Ref # 52005)                | 52005-0025     | 1        |
| COLLAR,L=19.3 (Ref # 92027)             | 92027-1780     | 1        |
| CLAMP,TUBE (Ref # 92037)                | 92037-010      | 1        |
| DAMPER (Ref # 92075)                    | 92075-015      | 2        |
| DAMPER,FUEL TANK (Ref # 92075A)         | 92075-101      | 2        |
| DAMPER (Ref # 92075B)                   | 92075-1736     | 1        |
| BOLT,5X12 (Ref # 92151)                 | 92151-1599     | 4        |
| BOLT,SOCKET,5X16 (Ref # 92153)          | 92153-1616     | 3        |
| CLAMP (Ref # 92170)                     | 92170-1492     | 2        |
| TUBE,FUEL (Ref # 92192)                 | 92192-0479     | 1        |