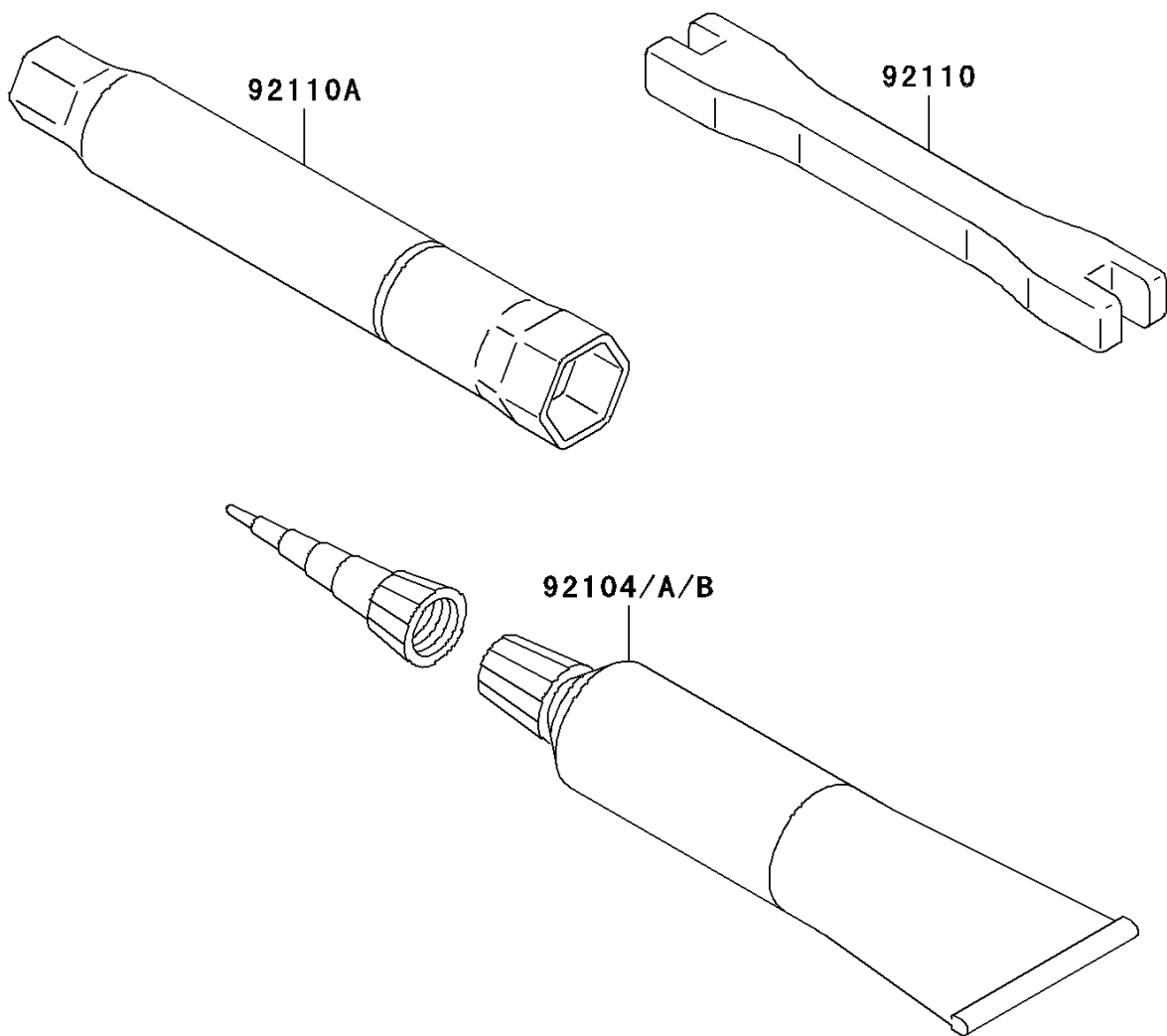


# 2009 KX™ 250F PARTS DIAGRAM

Owner's Tools

F2810



## 2009 KX™ 250F PARTS LIST

### Owner's Tools

| ITEM NAME                                  | PART NUMBER | QUANTITY |
|--|-------------|----------|
| GASKET-LIQUID,TB1211F,CLEAR (Ref # 92104)  | 92104-0004  | 1        |
| GASKET-LIQUID,TB1216,GRAY (Ref # 92104A)   | 92104-1063  | 1        |
| GASKET-LIQUID,TB1216B,BLACK (Ref # 92104B) | 92104-1064  | 1        |
| TOOL-WRENCH,NIPPLE,6X8 (Ref # 92110)       | 92110-0004  | 1        |
| TOOL-WRENCH,BOX,16MM (Ref # 92110A)        | 92110-0005  | 1        |