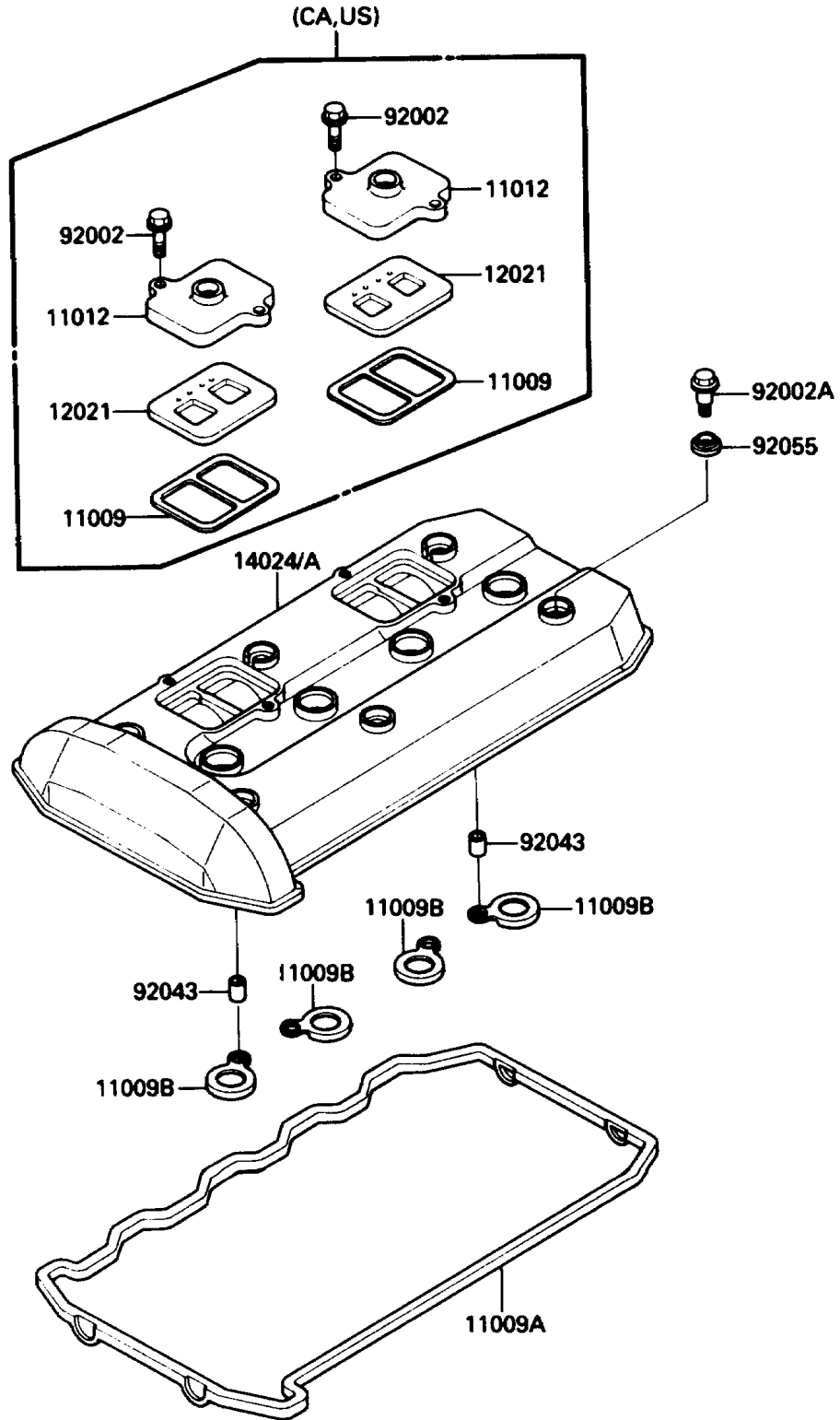


1988 NINJA® ZX-10 PARTS DIAGRAM

Cylinder Head Cover

E1112-0105



1988 NINJA® ZX-10 PARTS LIST

Cylinder Head Cover

| ITEM NAME | PART NUMBER | QUANTITY |
|--------------------------------------|-------------|----------|
| GASKET,HEAD COVER (Ref # 11009A) | 11009-1724 | 1 |
| GASKET,SPARK PLUG (Ref # 11009B) | 11009-1725 | 4 |
| BOLT,HEAD COVER (Ref # 92002A) | 92002-1504 | 6 |
| PIN,8.2X10X14 (Ref # 92043) | 92043-1264 | 4 |
| RING-O,HEAD COVER BOLT (Ref # 92055) | 92055-1352 | 6 |
| GASKET,REED VALVE (Ref # 11009) | 11009-1379 | 2 |
| CAP,REED VALVE (Ref # 11012) | 11012-1532 | 2 |
| VALVE-ASSY-REED (Ref # 12021) | 12021-1053 | 2 |
| COVER,HEAD (Ref # 14024) | 14024-1628 | 1 |
| COVER,HEAD (Ref # 14024A) | 14024-1645 | 1 |
| BOLT,6X22 (Ref # 92002) | 92002-1068 | 4 |