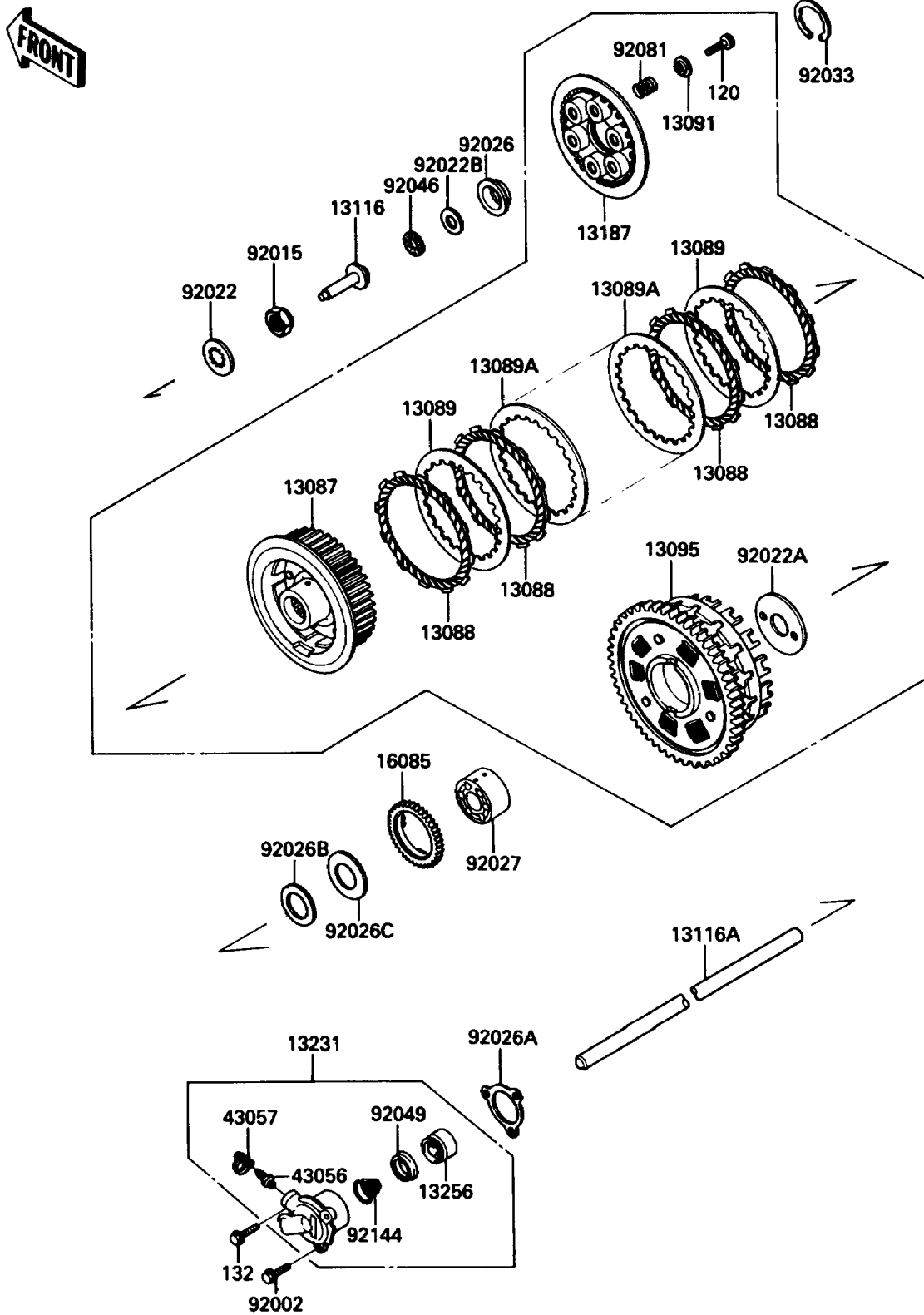


# 1988 NINJA® ZX-10 PARTS DIAGRAM

Clutch

E1350-0156



# 1988 NINJA® ZX-10 PARTS LIST

## Clutch

| ITEM NAME                            | PART NUMBER | QUANTITY |
|--------------------------------------|-------------|----------|
| BOLT-SOCKET,6X16 (Ref # 120)         | 120Q0616    | 6        |
| BOLT-FLANGED-SMALL (Ref # 132)       | 132J0680    | 1        |
| HUB-CLUTCH (Ref # 13087)             | 13087-1106  | 1        |
| PLATE-FRICTION (Ref # 13088)         | 13088-1051  | 9        |
| PLATE-CLUTCH,T=2.6 (Ref # 13089)     | 13089-1067  | 2        |
| PLATE-CLUTCH,T=2.9 (Ref # 13089A)    | 13089-1071  | 6        |
| HOLDER,CLUTCH SPRING (Ref # 13091)   | 13091-1041  | 6        |
| HOUSING-COMP-CLUTCH (Ref # 13095)    | 13095-1180  | 1        |
| ROD-PUSH,CLUTCH (Ref # 13116)        | 13116-1102  | 1        |
| ROD-PUSH,CLUTCH (Ref # 13116A)       | 13116-1118  | 1        |
| PLATE-CLUTCH OPERATING (Ref # 13187) | 13187-1056  | 1        |
| RELEASE-ASSY-CLUTCH (Ref # 13231)    | 13231-1060  | 1        |
| PISTON (Ref # 13256)                 | 13256-1052  | 1        |
| GEAR,OIL PUMP (Ref # 16085)          | 16085-1108  | 1        |
| BREATHER-BRAKE (Ref # 43056)         | 43056-1052  | 1        |
| CAP-BREATHER (Ref # 43057)           | 43057-1001  | 1        |
| BOLT,6X25 (Ref # 92002)              | 92002-1344  | 2        |
| NUT,20MM (Ref # 92015)               | 92015-1555  | 1        |
| WASHER,TOOTHED,25X40X5 (Ref # 92022) | 92022-1114  | 1        |
| WASHER,CLUTCH THRUST (Ref # 92022A)  | 92022-1221  | 1        |
| WASHER,15.1X29X1.0 (Ref # 92022B)    | 92022-1463  | 1        |
| SPACER,CLUTCH (Ref # 92026)          | 92026-1202  | 1        |
| SPACER,CLUTCH RELEASE (Ref # 92026A) | 92026-1263  | 1        |
| SPACER,25X45X2.0 (Ref # 92026B)      | 92026-1306  | 1        |
| SPACER,25X62X2.0 (Ref # 92026C)      | 92026-1307  | 1        |
| COLLAR (Ref # 92027)                 | 92027-1710  | 1        |
| RING-SNAP,50MM (Ref # 92033)         | 92033-1177  | 1        |
| BEARING-NEEDLE,AXK1102 (Ref # 92046) | 92046-1052  | 1        |
| SEAL-OIL,PISTON (Ref # 92049)        | 92049-1165  | 1        |

# 1988 NINJA® ZX-10 PARTS LIST

## Clutch

| ITEM NAME                           | PART NUMBER | QUANTITY |
|-------------------------------------|-------------|----------|
| SPRING,CLUTCH (Ref # 92081)         | 92081-1114  | 6        |
| SPRING,CLUTCH RELEASE (Ref # 92144) | 92144-1084  | 1        |