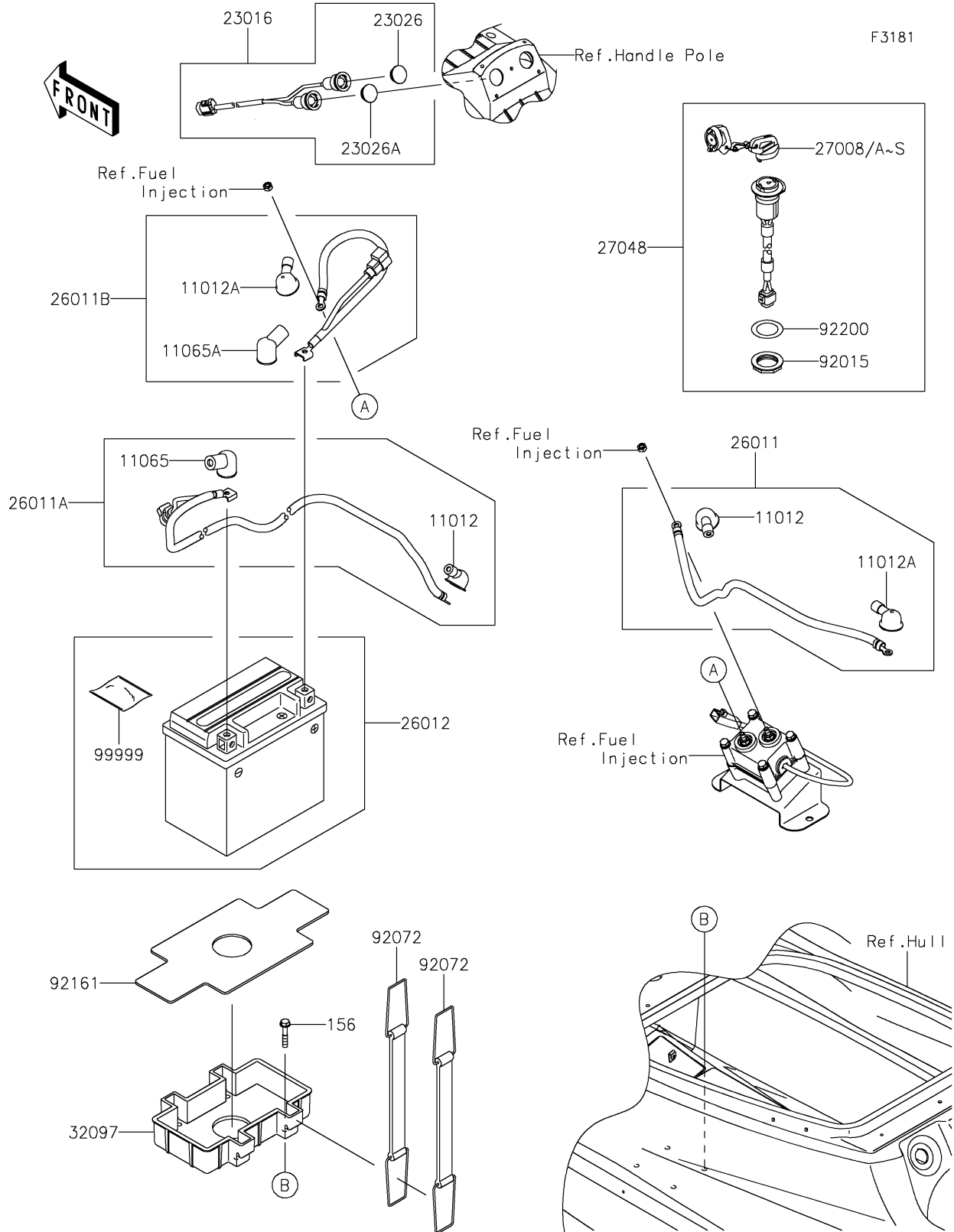


# 2018 JET SKI® SX-R™ PARTS DIAGRAM

## Electrical Equipment



## 2018 JET SKI® SX-R™ PARTS LIST

### Electrical Equipment

ITEM NAME	PART NUMBER	QUANTITY
CAP (Ref # 11012)	11012-3004	2
CAP,LEAD WIRE (Ref # 11012A)	11012-3726	2
CAP,TERMINAL (Ref # 11065)	11065-3729	1
CAP,TERMINAL (Ref # 11065A)	11065-3732	1
LAMP-ASSY,INDICATOR (Ref # 23016)	23016-0597	1
LENS,WARNING (Ref # 23026)	23026-0030	1
LENS,FUEL (Ref # 23026A)	23026-0031	1
WIRE-LEAD,RELAY (Ref # 26011)	26011-0955	1
WIRE-LEAD,BATTERY(-) (Ref # 26011A)	26011-0956	1
WIRE-LEAD,BATTERY(+) (Ref # 26011B)	26011-0957	1
BATTERY,YTX20L-BS,12V 18AH (Ref # 26012)	26012-0787	1
KEY,MAGNETIC SW,#3001 (Ref # 27008)	27008-3770	1
KEY,MAGNETIC SW,#3002 (Ref # 27008A)	27008-3771	AR
KEY,MAGNETIC SW,#3003 (Ref # 27008B)	27008-3772	AR
KEY,MAGNETIC SW,#3004 (Ref # 27008C)	27008-3773	AR
KEY,MAGNETIC SW,#3005 (Ref # 27008D)	27008-3774	AR
KEY,MAGNETIC SW,#3006 (Ref # 27008E)	27008-3775	AR
KEY,MAGNETIC SW,#3007 (Ref # 27008F)	27008-3776	AR
KEY,MAGNETIC SW,#3008 (Ref # 27008G)	27008-3777	AR
KEY,MAGNETIC SW,#3009 (Ref # 27008H)	27008-3778	AR
KEY,MAGNETIC SW,#3010 (Ref # 27008I)	27008-3779	AR
KEY,MAGNETIC SW,#3011 (Ref # 27008J)	27008-3780	AR
KEY,MAGNETIC SW,#3012 (Ref # 27008K)	27008-3781	AR
KEY,MAGNETIC SW,#3013 (Ref # 27008L)	27008-3782	AR
KEY,MAGNETIC SW,#3014 (Ref # 27008M)	27008-3783	AR
KEY,MAGNETIC SW,#3015 (Ref # 27008N)	27008-3784	AR
KEY,MAGNETIC SW,#3016 (Ref # 27008O)	27008-3785	AR
KEY,MAGNETIC SW,#3017 (Ref # 27008P)	27008-3786	AR
KEY,MAGNETIC SW,#3018 (Ref # 27008Q)	27008-3787	AR

## 2018 JET SKI® SX-R™ PARTS LIST

### Electrical Equipment

ITEM NAME	PART NUMBER	QUANTITY
KEY,MAGNETIC SW,#3019 (Ref # 27008R)	27008-3788	AR
KEY,MAGNETIC SW,#3020 (Ref # 27008S)	27008-3789	AR
SWITCH-ASSY,MAIN (Ref # 27048)	27048-0029	1
CASE-BATTERY (Ref # 32097)	32097-3709	1
NUT (Ref # 92015)	92015-3848	1
BAND,340X22 (Ref # 92072)	92072-3805	4
DAMPER,BATTERY CASE (Ref # 92161)	92161-1388	1
WASHER (Ref # 92200)	92200-3736	1
BOLT NUT KIT (Ref # 99999)	99999-0311	1
BOLT-WP,6X35 (Ref # 156)	156R0635	4