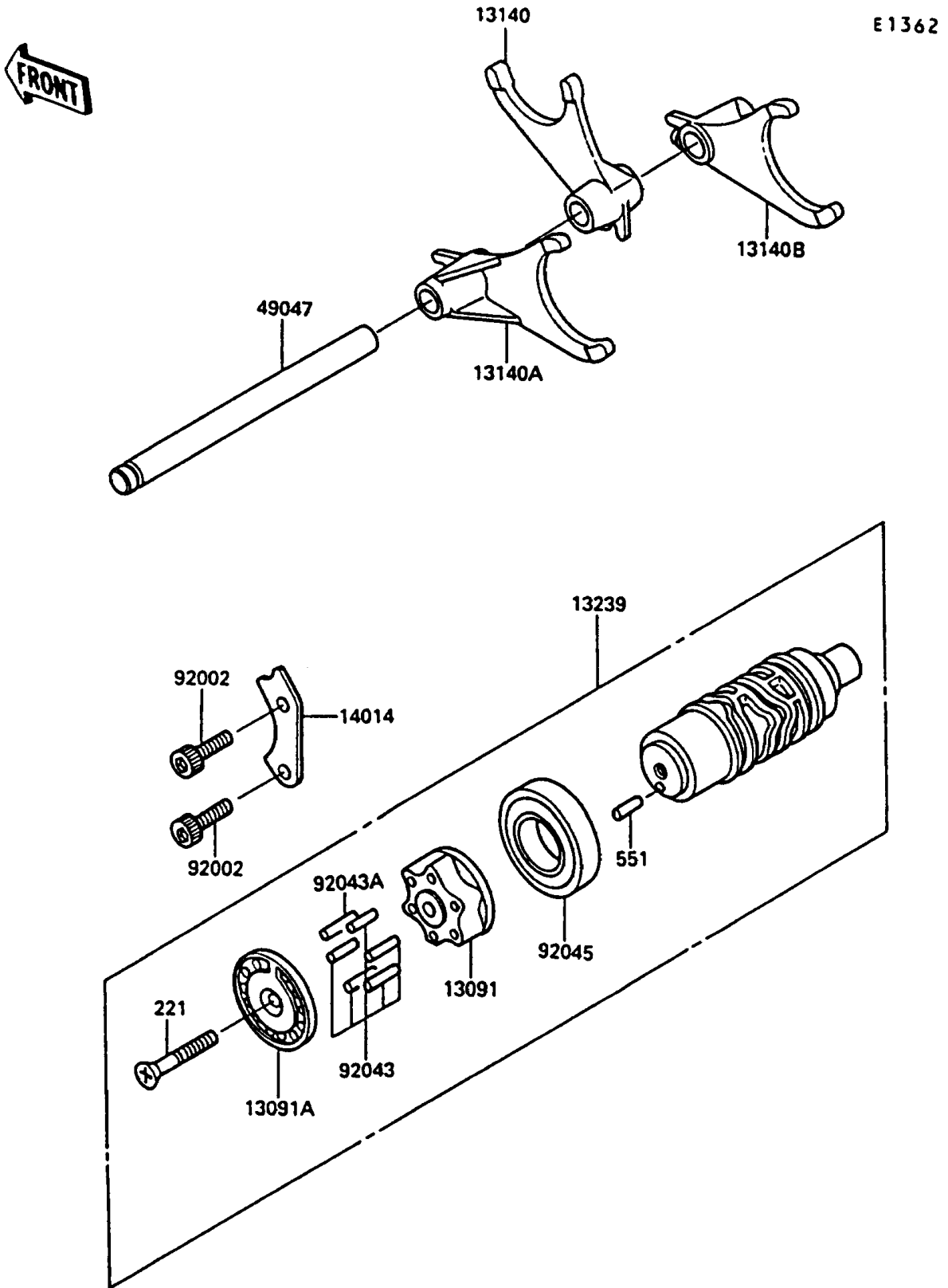


1988 NINJA[®] ZX-10 PARTS DIAGRAM

Gear Change Drum/Shift Fork(s)



1988 NINJA® ZX-10 PARTS LIST

Gear Change Drum/Shift Fork(s)

ITEM NAME	PART NUMBER	QUANTITY
SCREW-CSK-CROS,6X45 (Ref # 221)	221B0645	1
PIN-DOWEL,4X8 (Ref # 551)	551A0408	1
HOLDER,CHANGE DRUM (Ref # 13091)	13091-1275	1
HOLDER,NEUTRAL (Ref # 13091A)	13091-1334	1
FORK-SHIFT (Ref # 13140)	13140-1127	1
FORK-SHIFT (Ref # 13140A)	13140-1128	1
FORK-SHIFT (Ref # 13140B)	13140-1129	1
DRUM-ASSY-CHANGE (Ref # 13239)	13239-1116	1
PLATE-POSITION,CHANGE DRUM (Ref # 14014)	14014-1059	1
ROD-SHIFT (Ref # 49047)	49047-1055	1
BOLT,SOCKET,6X16 (Ref # 92002)	92002-1778	2
PIN,DOWEL,4X15.8 (Ref # 92043)	92042-014	5
PIN,DOWEL,4X17.8 (Ref # 92043A)	92042-020	1
BEARING-BALL,16005(NTN) (Ref # 92045)	92045-1045	1