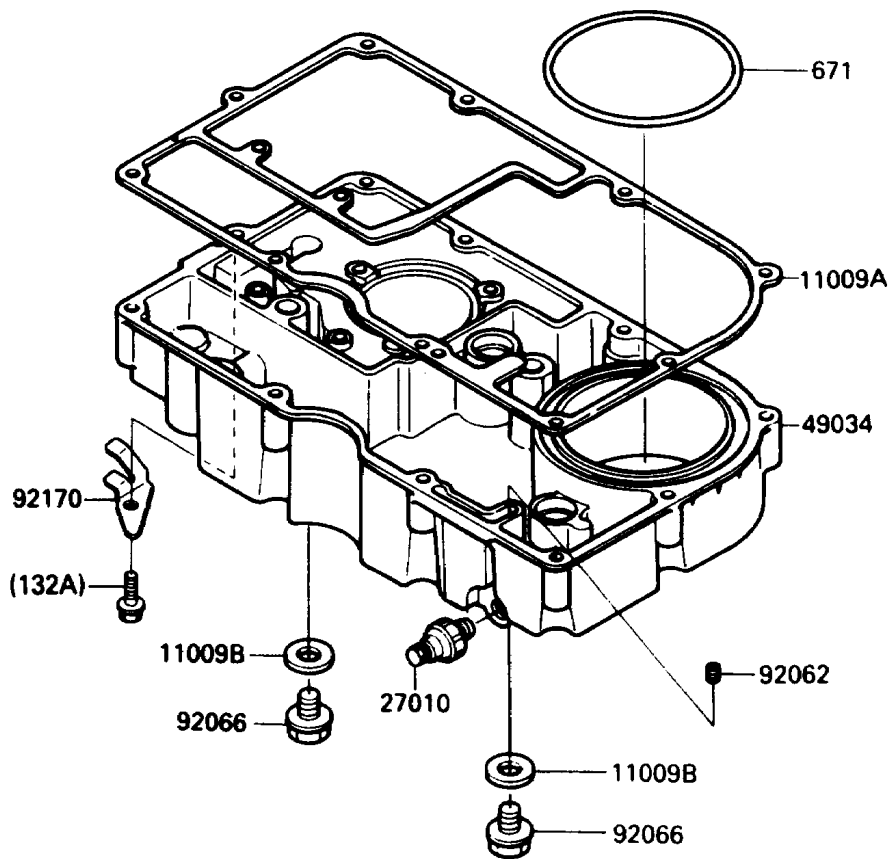
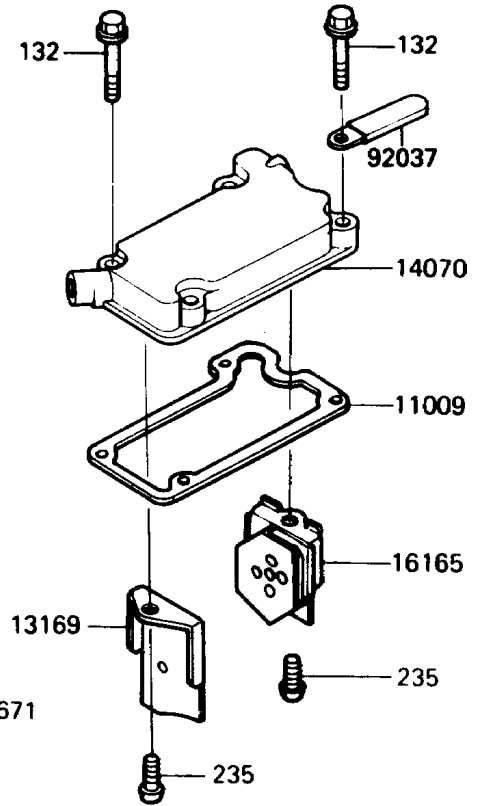
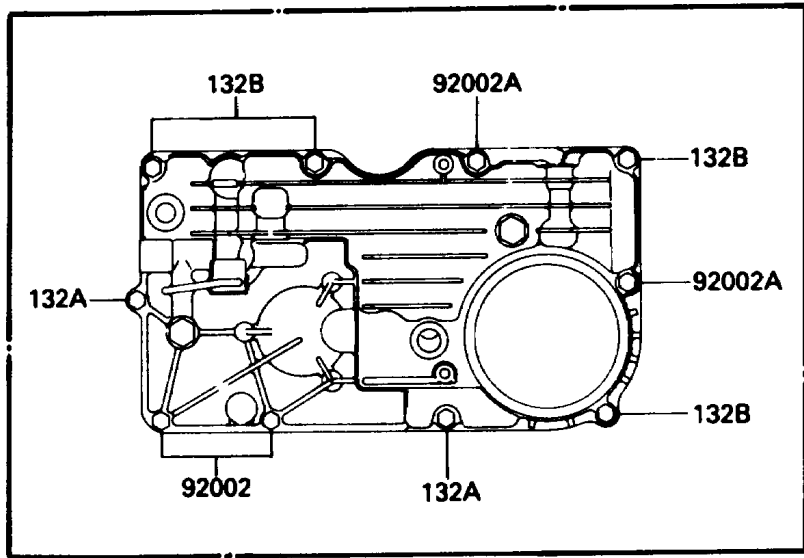


1988 NINJA® ZX-10 PARTS DIAGRAM

Breather Cover/Oil Pan

E1432-0044



1988 NINJA® ZX-10 PARTS LIST

Breather Cover/Oil Pan

ITEM NAME	PART NUMBER	QUANTITY
-----------	-------------	----------