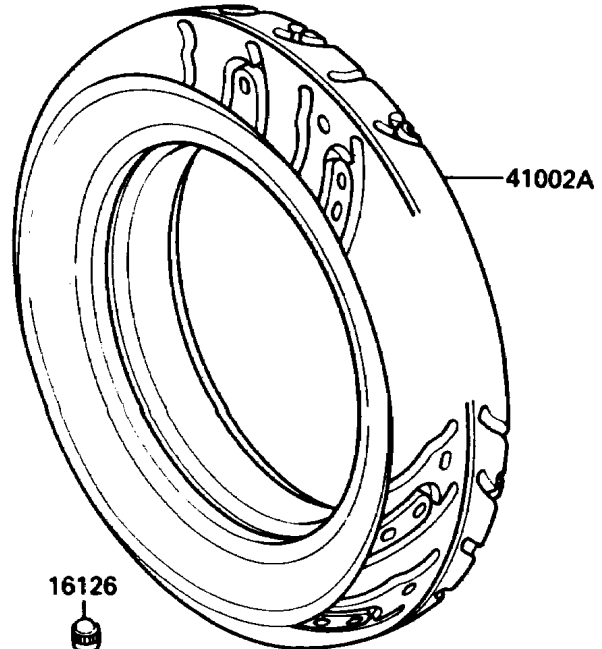
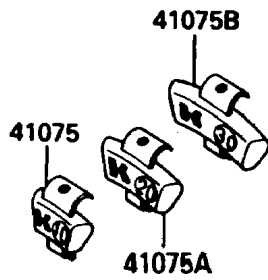
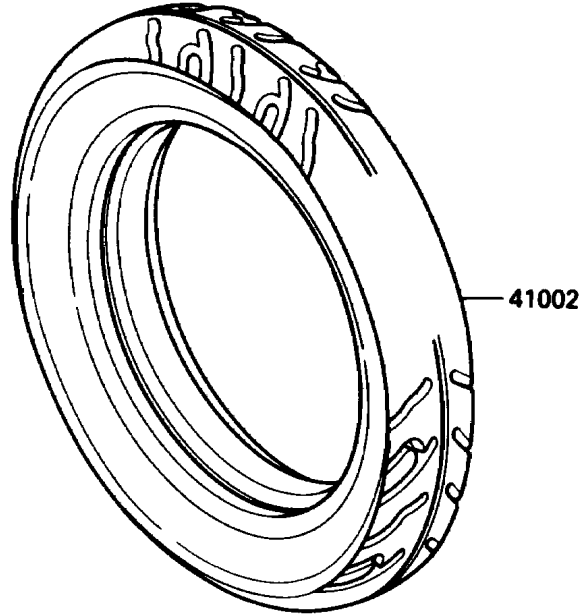
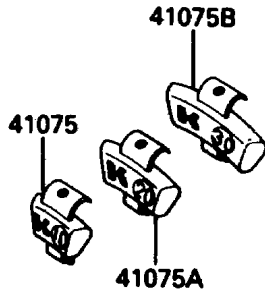


1988 NINJA® ZX-10 PARTS DIAGRAM

Tires

F2210-0154



1988 NINJA® ZX-10 PARTS LIST

Tires

ITEM NAME	PART NUMBER	QUANTITY
-----------	-------------	----------