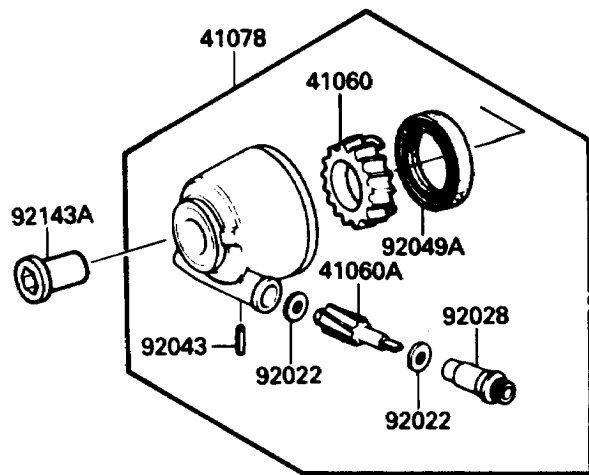
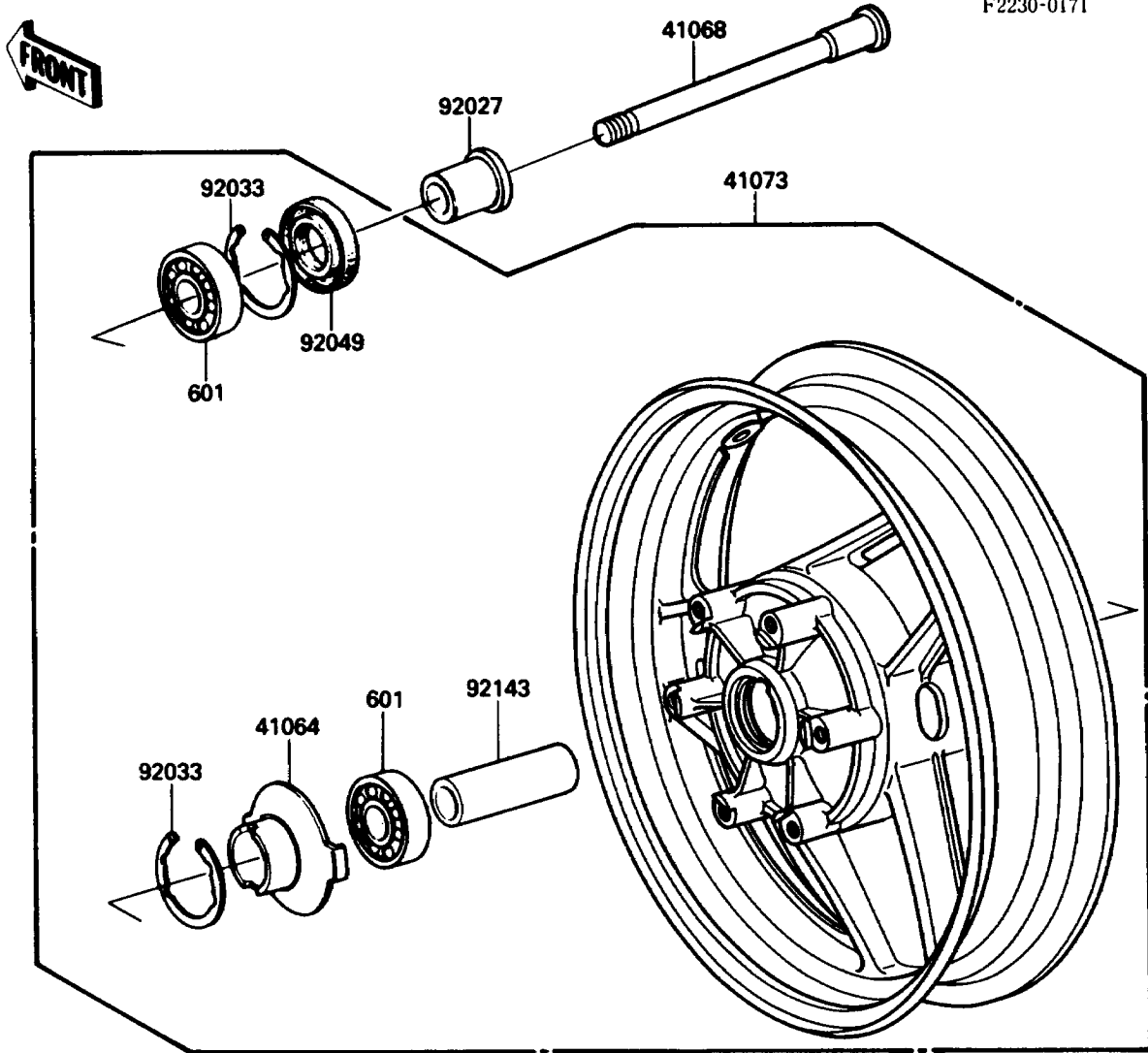


# 1989 Ninja<sup>®</sup> ZX<sup>™</sup>-10 PARTS DIAGRAM

Front Wheel

F2230-0171



# 1989 Ninja® ZX™-10 PARTS LIST

## Front Wheel

ITEM NAME	PART NUMBER	QUANTITY
BEARING-BALL,#6303UUC3 (Ref # 601)	601B6303UU	2
GEAR-METER SCREW,24T (Ref # 41060)	41060-1025	1
GEAR-METER SCREW,9T (Ref # 41060A)	41060-1123	1
RECEIVER-SPEEDOMETER (Ref # 41064)	41064-1054	1
AXLE,FR (Ref # 41068)	41068-1255	1
WHEEL-ASSY,FR,SILVER NO.1 (Ref # 41073)	41073-1391-CX	1
CASE-ASSY-METER GEAR (Ref # 41078)	41078-1069	1
WASHER,5.1X9X0.4 (Ref # 92022)	41063-001	2
COLLAR,L=31 (Ref # 92027)	92027-1263	1
BUSHING,SPEEDOMETER (Ref # 92028)	92028-1066	1
RING-SNAP,47MM (Ref # 92033)	92033-1042	2
PIN,SPRING (Ref # 92043)	41082-001	1
SEAL-OIL,BJN28475 (Ref # 92049)	92049-1056	1
SEAL-OIL,BJN30427-C3 (Ref # 92049A)	92049-1057	1
COLLAR,17.2X25X72 (Ref # 92143)	92143-1197	1
COLLAR,FR AXLE,NUT,L=42.5 (Ref # 92143A)	92143-1206	1