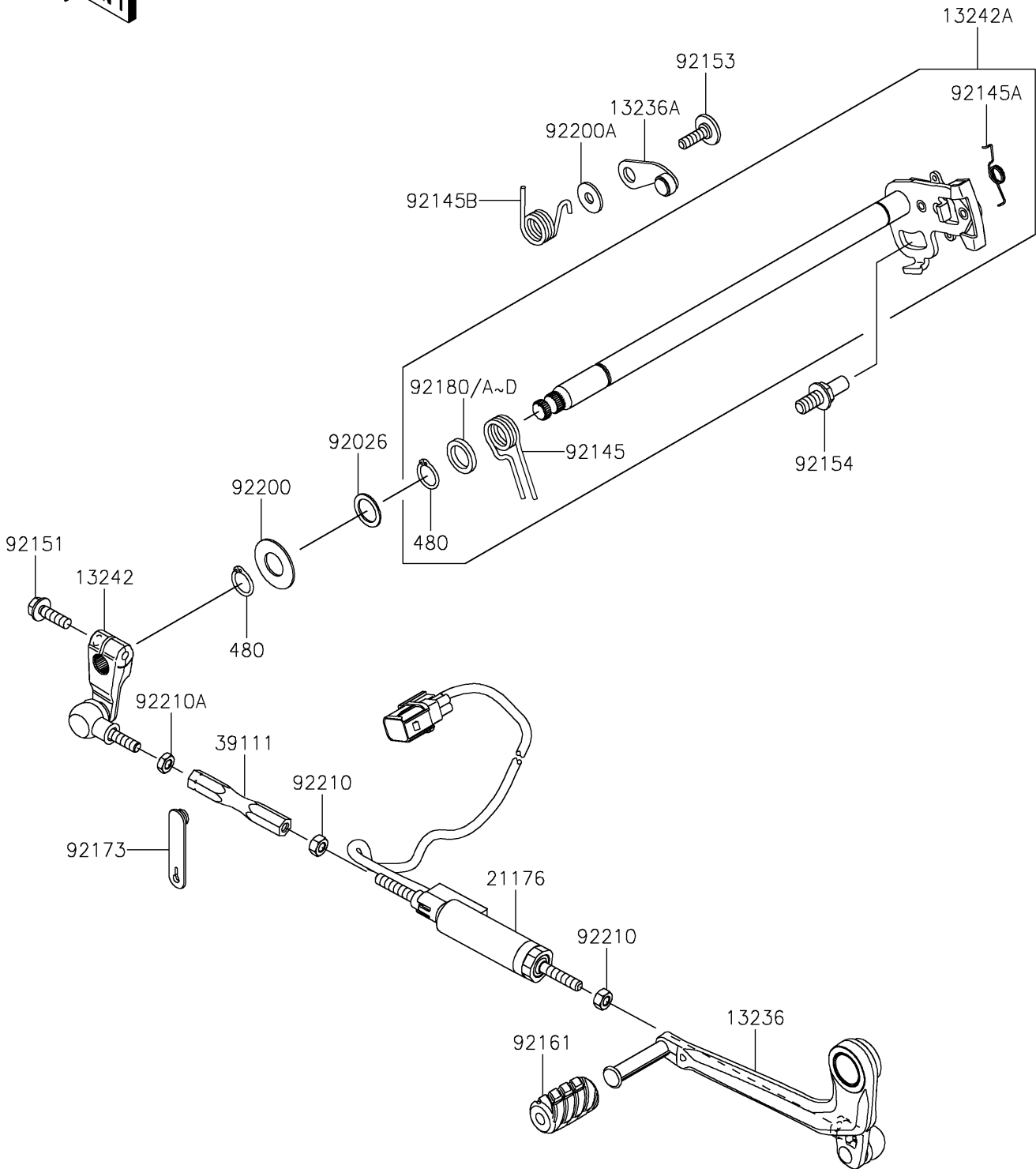


2024 Ninja H2 PARTS DIAGRAM

Gear Change Mechanism

E1370



2024 Ninja H2 PARTS LIST

Gear Change Mechanism

ITEM NAME	PART NUMBER	QUANTITY
LEVER-COMP,CHANGE,PEDAL (Ref # 13236)	13236-0768	1
LEVER-COMP,POSITION (Ref # 13236A)	13236-0785	1
LEVER-ASSY-CHANGE (Ref # 13242)	13242-0121	1
LEVER-ASSY-CHANGE (Ref # 13242A)	13242-0170	1
SENSOR,QUICK SHIFTER (Ref # 21176)	21176-0909	1
ROD-TIE (Ref # 39111)	39111-0346	1
SPACER,14X20X1.0 (Ref # 92026)	92026-1534	1
SPRING,RETURN (Ref # 92145)	92145-0415	1
SPRING (Ref # 92145A)	92145-1663	1
SPRING,POSITION LEVER (Ref # 92145B)	92145-1664	1
BOLT,FLANGED,6X20 (Ref # 92151)	92151-1226	1
BOLT,6X20 (Ref # 92153)	92153-1505	1
BOLT,RETURN SPRING (Ref # 92154)	92154-1838	1
DAMPER (Ref # 92161)	92161-1769	1
CLAMP (Ref # 92173)	92173-2198	1
SHIM,T=2.6 (Ref # 92180)	92180-0963	AR
SHIM,T=2.8 (Ref # 92180A)	92180-0964	AR
SHIM,T=3.0 (Ref # 92180B)	92180-0965	1
SHIM,T=3.2 (Ref # 92180C)	92180-0966	AR
SHIM,T=3.4 (Ref # 92180D)	92180-0967	AR
WASHER (Ref # 92200)	92200-0265	1
WASHER,6.5X18X1.6 (Ref # 92200A)	92200-0996	1
NUT,6MM (Ref # 92210)	92210-1100	2
NUT,LEFT HANDED,6MM (Ref # 92210A)	92210-1101	1
CIRCLIP-TYPE-C,14MM (Ref # 480)	480J1400	2