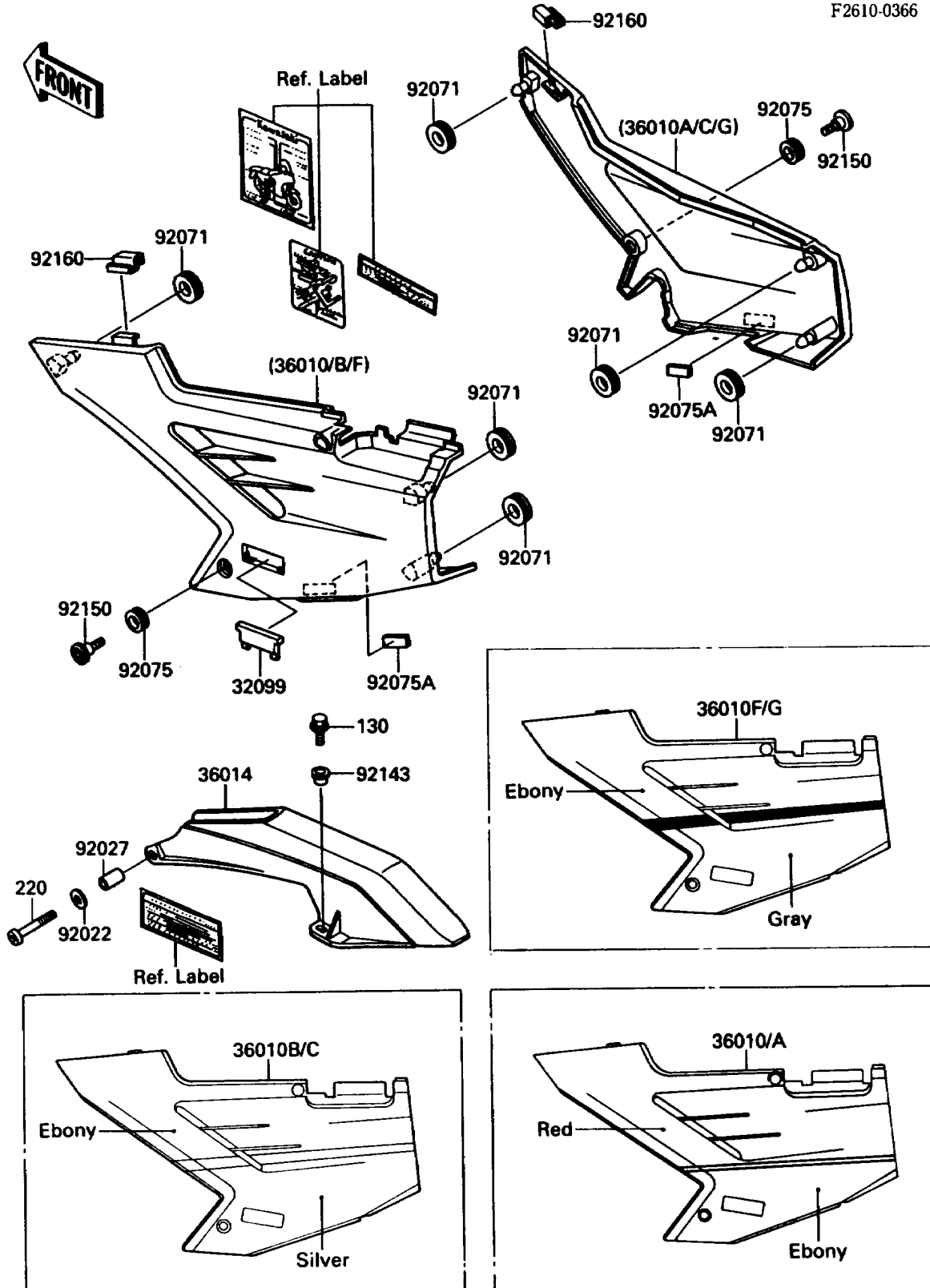


1988 NINJA® ZX-10 PARTS DIAGRAM

Side Covers/Chain Cover

F2610-0366



1988 NINJA® ZX-10 PARTS LIST

Side Covers/Chain Cover

ITEM NAME	PART NUMBER	QUANTITY
-----------	-------------	----------