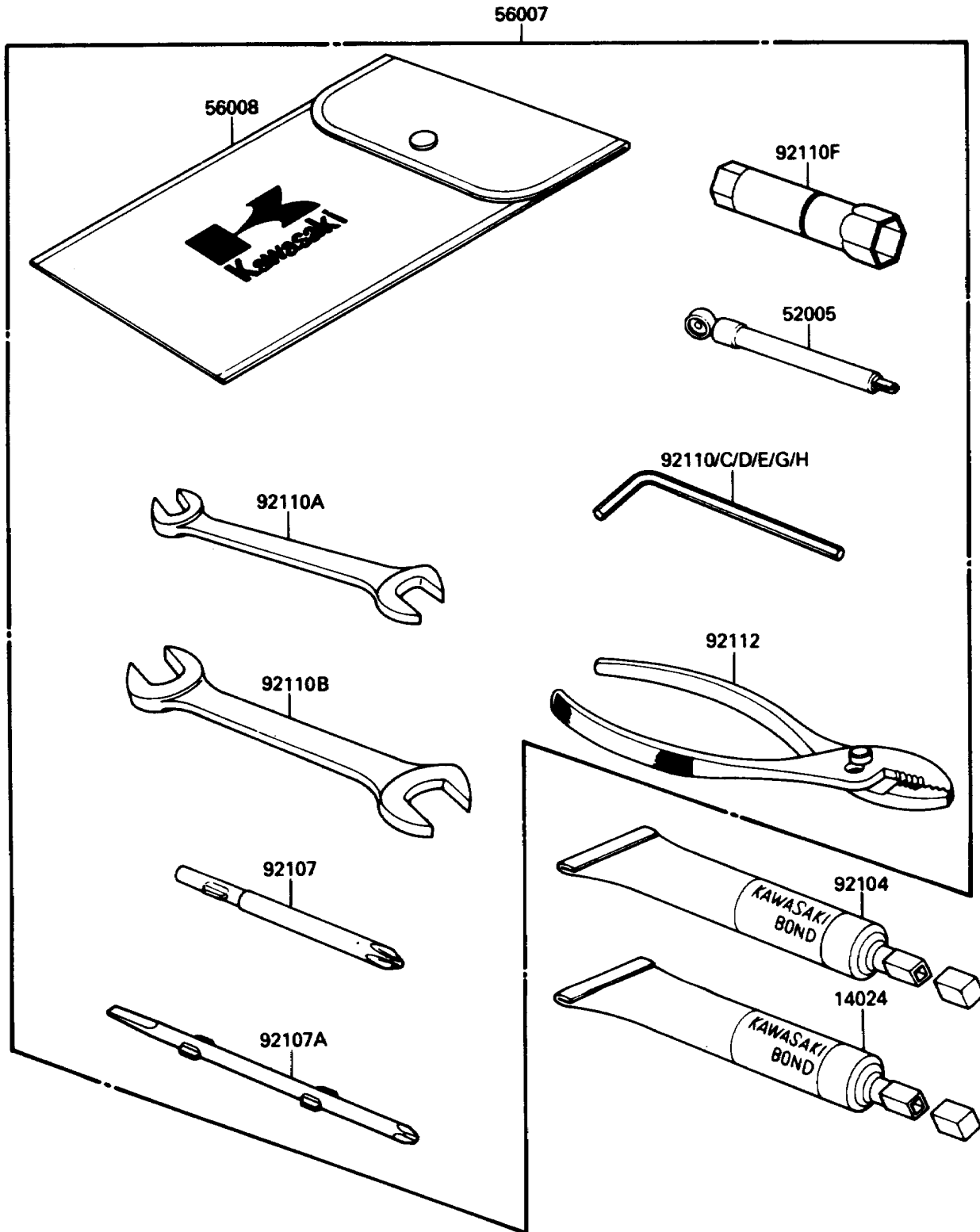


# 1988 NINJA® ZX-10 PARTS DIAGRAM

Owner's Tools

F2810-0246



# 1988 NINJA® ZX-10 PARTS LIST

Owner's Tools

ITEM NAME	PART NUMBER	QUANTITY
-----------	-------------	----------