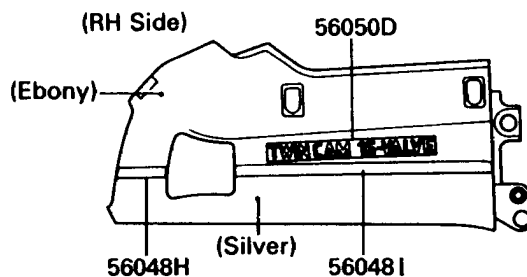
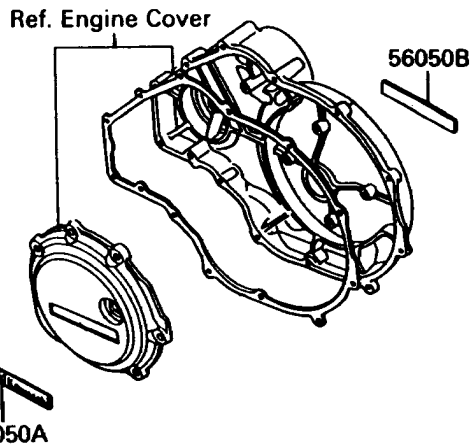
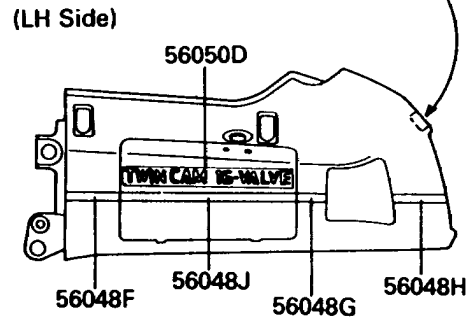
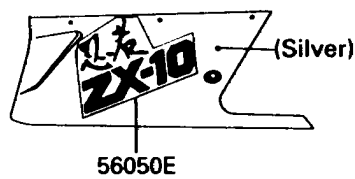
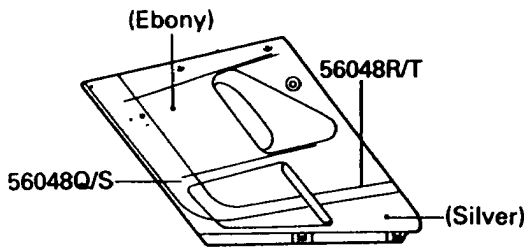
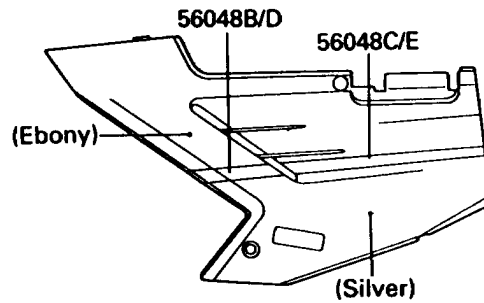
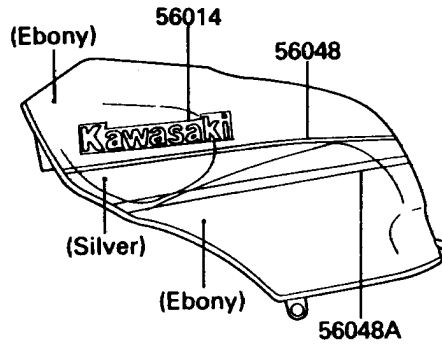
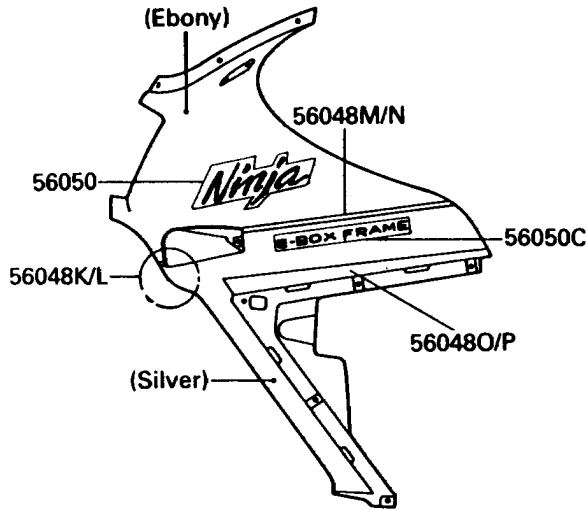


1988 NINJA® ZX-10 PARTS DIAGRAM

Decals(Ebony/Silver)(ZX1000-B1)

F2861-0029



1988 NINJA® ZX-10 PARTS LIST

Decals(Ebony/Silver)(ZX1000-B1)

| ITEM NAME | PART NUMBER | QUANTITY |
|--|-------------|----------|
| EMBLEM,FUEL TANK,KAWASAKI (Ref # 56014) | 56014-1217 | 2 |
| MARK,KAWASAKI (Ref # 56018) | 56018-1675 | 1 |
| PATTERN,FUEL TANK,TOP (Ref # 56048) | 56048-1159 | 1 |
| PATTERN,FUEL TANK,LWR (Ref # 56048A) | 56048-1160 | 1 |
| PATTERN,SIDE COVER,FR,LH (Ref # 56048B) | 56048-1161 | 1 |
| PATTERN,SIDE COVER,RR,LH (Ref # 56048C) | 56048-1162 | 1 |
| PATTERN,SIDE COVER,FR,RH (Ref # 56048D) | 56048-1163 | 1 |
| PATTERN,SIDE COVER,RR,RH (Ref # 56048E) | 56048-1164 | 1 |
| PATTERN,SEAT COVER,FR,LH (Ref # 56048F) | 56048-1165 | 1 |
| PATTERN,SEAT COVER,CNT,LH (Ref # 56048G) | 56048-1166 | 1 |
| PATTERN,SEAT COVER,RR,LH&RH (Ref # 56048H) | 56048-1167 | 2 |
| PATTERN,SEAT COVER,FR,RH (Ref # 56048I) | 56048-1168 | 1 |
| PATTERN,TOOL BOX COVER,LH (Ref # 56048J) | 56048-1169 | 1 |
| PATTERN,UPP COWLING,UPP,FR,LH (Ref # 56048K) | 56048-1170 | 1 |
| PATTERN,UPP COWLING,UPP,FR,RH (Ref # 56048L) | 56048-1171 | 1 |
| PATTERN,UPP COWLING,UPP,RR,LH (Ref # 56048M) | 56048-1172 | 1 |
| PATTERN,UPP COWLING,UPP,RR,RH (Ref # 56048N) | 56048-1173 | 1 |
| PATTERN,UPP COWLING,LWR,LH (Ref # 56048O) | 56048-1174 | 1 |
| PATTERN,UPP COWLING,LWR,RH (Ref # 56048P) | 56048-1175 | 1 |
| PATTERN,CNT COWLING,FR,LH (Ref # 56048Q) | 56048-1176 | 1 |
| PATTERN,CNT COWLING,RR,LH (Ref # 56048R) | 56048-1177 | 1 |
| PATTERN,CNT COWLING,FR,RH (Ref # 56048S) | 56048-1178 | 1 |
| PATTERN,CNT COWLING,RR,RH (Ref # 56048T) | 56048-1179 | 1 |
| MARK,NINJA (Ref # 56050) | 56050-1090 | 2 |
| MARK,ENGINE COVER,LH (Ref # 56050A) | 56050-1094 | 1 |
| MARK,ENGINE COVER,RH (Ref # 56050B) | 56050-1095 | 1 |
| MARK,E-BOX FRAME (Ref # 56050C) | 56050-1110 | 2 |
| MARK,TWIN CAM 16-VALVE (Ref # 56050D) | 56050-1112 | 2 |
| MARK,NINJA/ZX-10 (Ref # 56050E) | 56050-1122 | 2 |