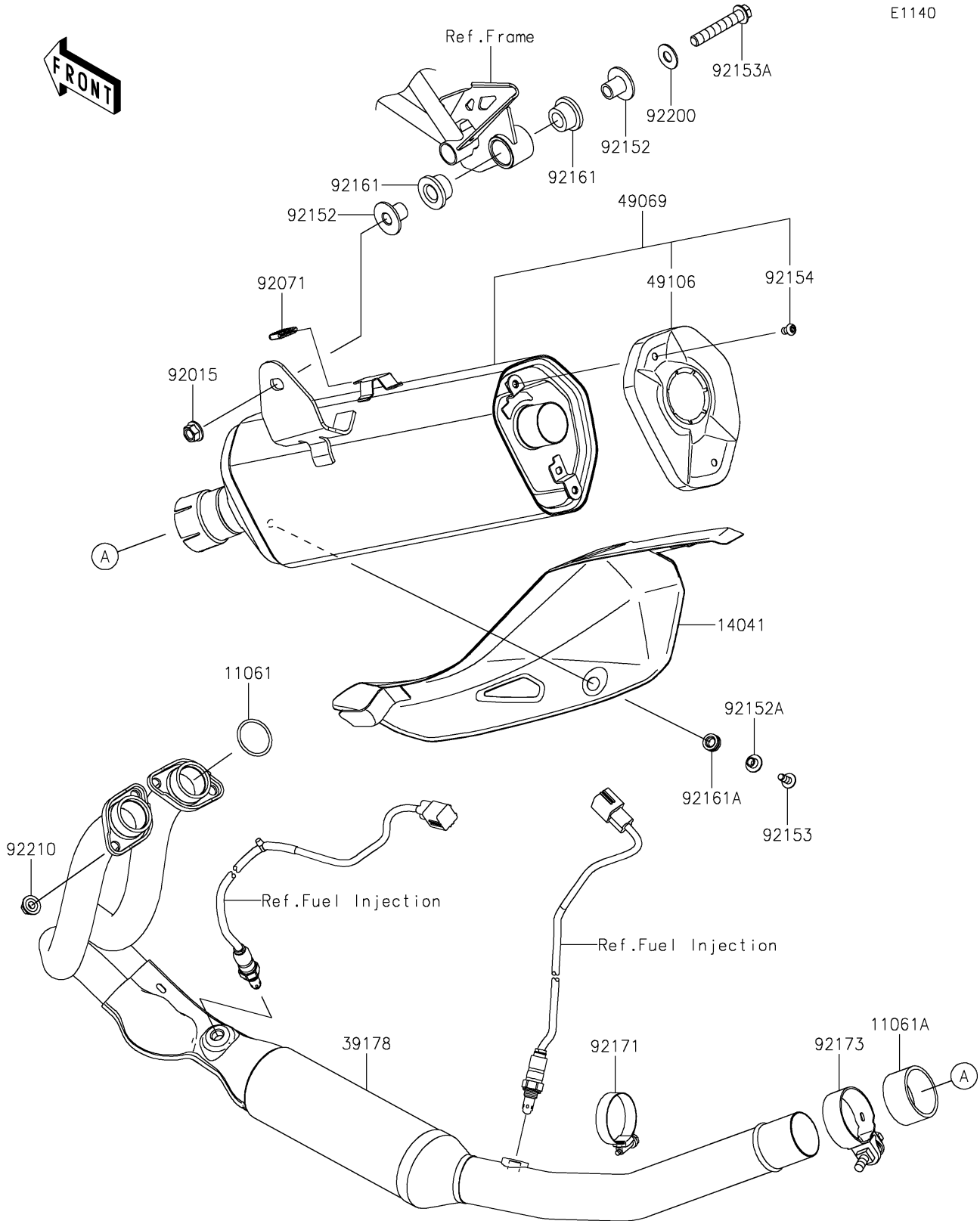


2024 NINJA® 7 HYBRID ABS PARTS DIAGRAM

Muffler(s)

E1140



2024 NINJA® 7 HYBRID ABS PARTS LIST

Muffler(s)

ITEM NAME	PART NUMBER	QUANTITY
GASKET,EXHAUST PIPE (Ref # 11061)	11061-1249	2
GASKET,EXHAUST PIPE CONNECTING (Ref # 11061A)	11061-1266	1
COVER-COMP,MUFFLER (Ref # 14041)	14041-0634	1
MANIFOLD-COMP-EXHAUST (Ref # 39178)	39178-0437	1
MUFFLER-ASSY (Ref # 49069)	49069-0899	1
COVER-MUFFLER (Ref # 49106)	49106-0872	1
NUT,FLANGED,10MM (Ref # 92015)	92015-1387	1
GROMMET (Ref # 92071)	92071-0786	1
COLLAR (Ref # 92152)	92152-2295	2
COLLAR,6.3X8.3X16 (Ref # 92152A)	92152-2850	1
BOLT,SOCKET,6X16 (Ref # 92153)	92153-0817	1
BOLT,FLANGED,10X60 (Ref # 92153A)	92153-1777	1
BOLT,SOCKET,6X10 (Ref # 92154)	92154-7250	2
DAMPER (Ref # 92161)	92161-1497	2
DAMPER (Ref # 92161A)	92161-2152	1
CLAMP (Ref # 92171)	92171-0058	1
CLAMP (Ref # 92173)	92173-1931	1
WASHER,10.5X24X1.5 (Ref # 92200)	92200-0154	1
NUT,8MM (Ref # 92210)	92210-1114	4