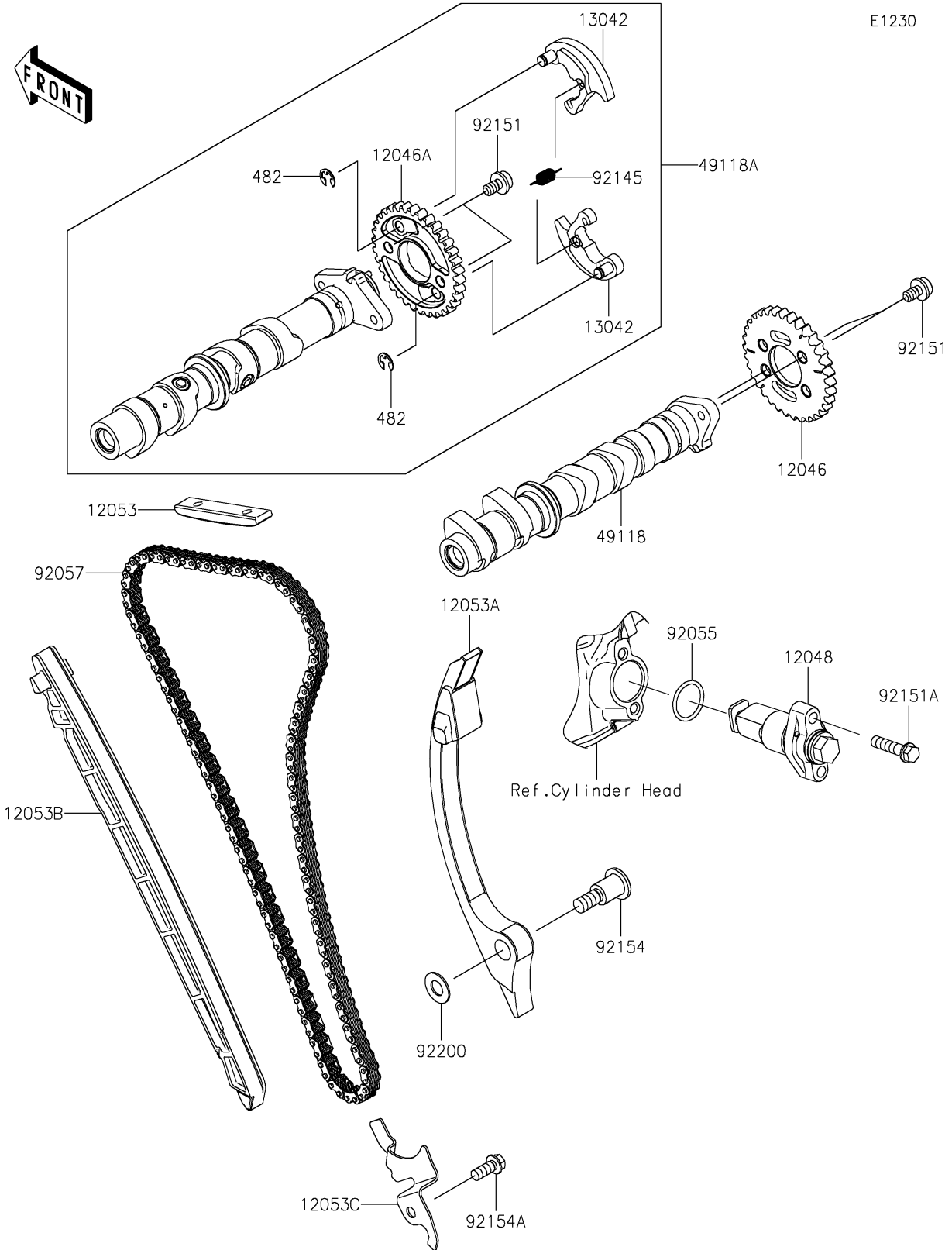


# 2024 NINJA® 7 HYBRID ABS PARTS DIAGRAM

Camshaft(s)/Tensioner



## 2024 NINJA® 7 HYBRID ABS PARTS LIST

### Camshaft(s)/Tensioner

ITEM NAME	PART NUMBER	QUANTITY
SPROCKET,34T (Ref # 12046)	12046-0599	1
SPROCKET,34T (Ref # 12046A)	12046-0635	1
TENSIONER-ASSY (Ref # 12048)	12048-0132	1
GUIDE-CHAIN,UPP (Ref # 12053)	12053-0051	1
GUIDE-CHAIN,RR (Ref # 12053A)	12053-0244	1
GUIDE-CHAIN,FR (Ref # 12053B)	12053-0323	1
GUIDE-CHAIN,LWR (Ref # 12053C)	12053-0324	1
WEIGHT (Ref # 13042)	13042-0005	2
CAMSHAFT-COMP,INTAKE (Ref # 49118)	49118-1272	1
CAMSHAFT-COMP,EXHAUST (Ref # 49118A)	49118-1293	1
RING-O,18.8X1.9 (Ref # 92055)	92055-086	1
CHAIN,CAM,92RH2015 126M (Ref # 92057)	92057-0602	1
SPRING (Ref # 92145)	92145-0390	1
BOLT,SOCKET,6X10 (Ref # 92151)	92151-1829	4
BOLT,FLANGED-SMALL,6X25 (Ref # 92151A)	92151-1930	2
BOLT,SOCKET,8X29.2 (Ref # 92154)	92154-0953	1
BOLT,FLANGED,6X14 (Ref # 92154A)	92154-2907	1
WASHER,9X18X1 (Ref # 92200)	92200-1954	1
CIRCLIP-TYPE-E,5MM (Ref # 482)	482J5000	2