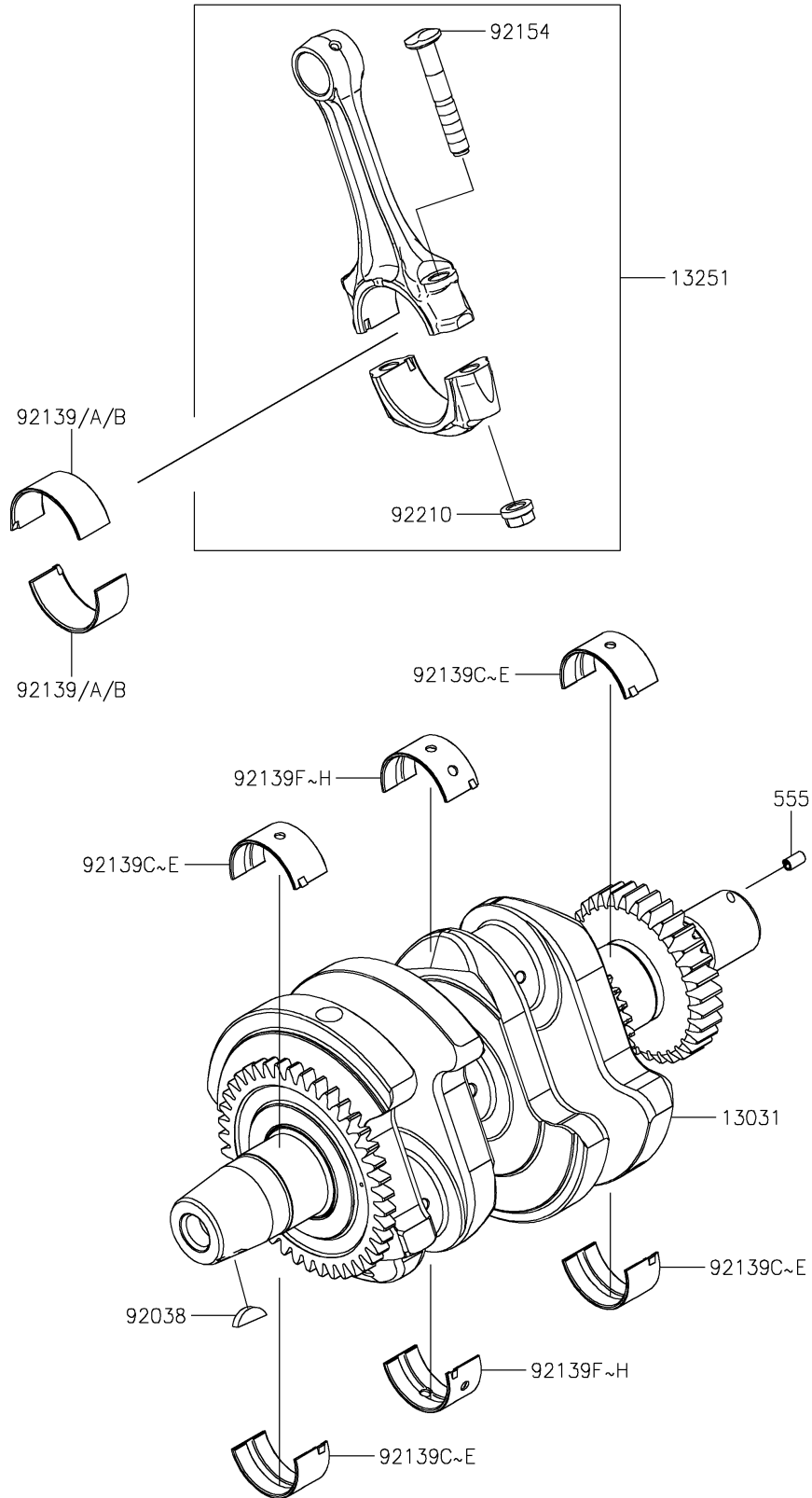


2024 NINJA® 7 HYBRID ABS PARTS DIAGRAM

Crankshaft

E1321



2024 NINJA® 7 HYBRID ABS PARTS LIST

Crankshaft

ITEM NAME	PART NUMBER	QUANTITY
CRANKSHAFT-COMP (Ref # 13031)	13031-1526	1
ROD-ASSY-CONNECTING,G (Ref # 13251)	13251-0757-GG	2
KEY,WOODRUFF (Ref # 92038)	92038-001	1
BUSHING,CONNECTING ROD,BLUE (Ref # 92139)	92139-1219	AR
BUSHING,CONNECTING ROD,BLACK (Ref # 92139A)	92139-1220	4
BUSHING,CONNECTING ROD,BROWN (Ref # 92139B)	92139-1221	AR
BUSHING,CRANK #1,BLUE (Ref # 92139C)	92139-1222	AR
BUSHING,CRANK #1,BLACK (Ref # 92139D)	92139-1223	4
BUSHING,CRANK #1,BROWN (Ref # 92139E)	92139-1224	AR
BUSHING,CRANK #2,BLUE (Ref # 92139F)	92139-1225	AR
BUSHING,CRANK #2,BLACK (Ref # 92139G)	92139-1226	2
BUSHING,CRANK #2,BROWN (Ref # 92139H)	92139-1227	AR
BOLT,7MM (Ref # 92154)	92154-7075	4
NUT,CONNECTING ROD,7MM (Ref # 92210)	92210-0384	4
PIN-SPRING,4X8 (Ref # 555)	555A0408	1