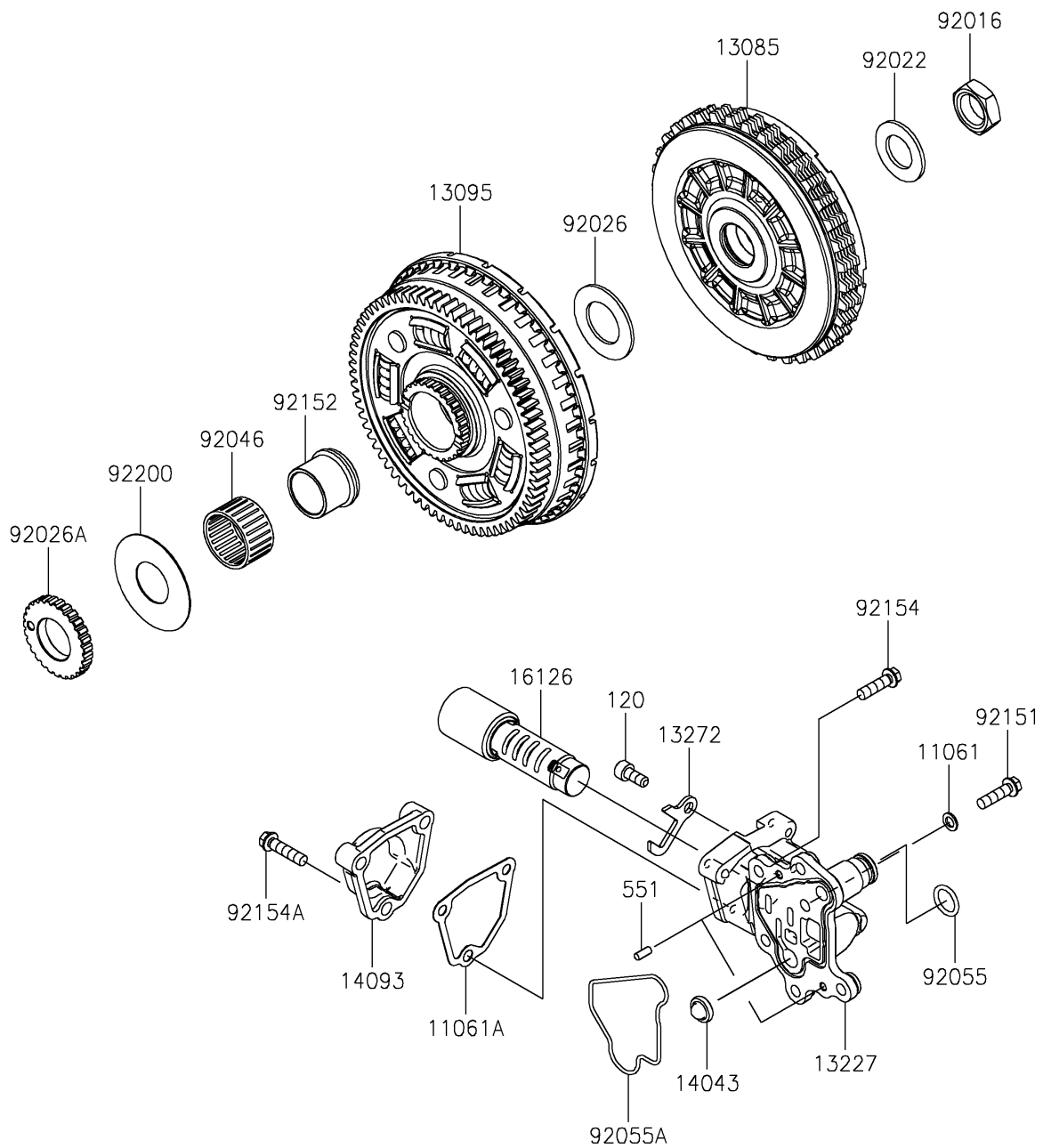


# 2024 NINJA® 7 HYBRID ABS PARTS DIAGRAM

Clutch

E1350



## 2024 NINJA® 7 HYBRID ABS PARTS LIST

### Clutch

ITEM NAME	PART NUMBER	QUANTITY
GASKET,DRAIN (Ref # 11061)	11061-0875	1
GASKET,VALVE COVER (Ref # 11061A)	11061-1441	1
PLATE-ASSY-CLUTCH (Ref # 13085)	13085-0170	1
HOUSING-COMP-CLUTCH (Ref # 13095)	13095-0616	1
HOUSING (Ref # 13227)	13227-0714	1
PLATE,VALVE (Ref # 13272)	13272-4021	1
FILTER,ELEMENT (Ref # 14043)	14043-0009	1
COVER,VALVE (Ref # 14093)	14093-1285	1
VALVE (Ref # 16126)	16126-0774	1
NUT,20MM (Ref # 92016)	92016-028	1
WASHER,20.3X36X2.3 (Ref # 92022)	92022-1116	1
SPACER,25.5X44.5X2 (Ref # 92026)	92026-0734	1
SPACER (Ref # 92026A)	92026-0926	1
BEARING-NEEDLE,K30X35X20 (Ref # 92046)	92046-1171	1
RING-O,13.8MM (Ref # 92055)	92055-0848	1
RING-O,HOUSING (Ref # 92055A)	92055-1730	1
BOLT,6X22 (Ref # 92151)	92151-1936	1
COLLAR (Ref # 92152)	92152-2905	1
BOLT,FLANGED,6X22 (Ref # 92154)	92154-0794	5
BOLT,FLANGED,6X25 (Ref # 92154A)	92154-0819	3
WASHER,25.1X58X0.8 (Ref # 92200)	92200-2539	1
BOLT-SOCKET,6X14 (Ref # 120)	120CA0614	1
PIN-DOWEL,4X10 (Ref # 551)	551A0410	2