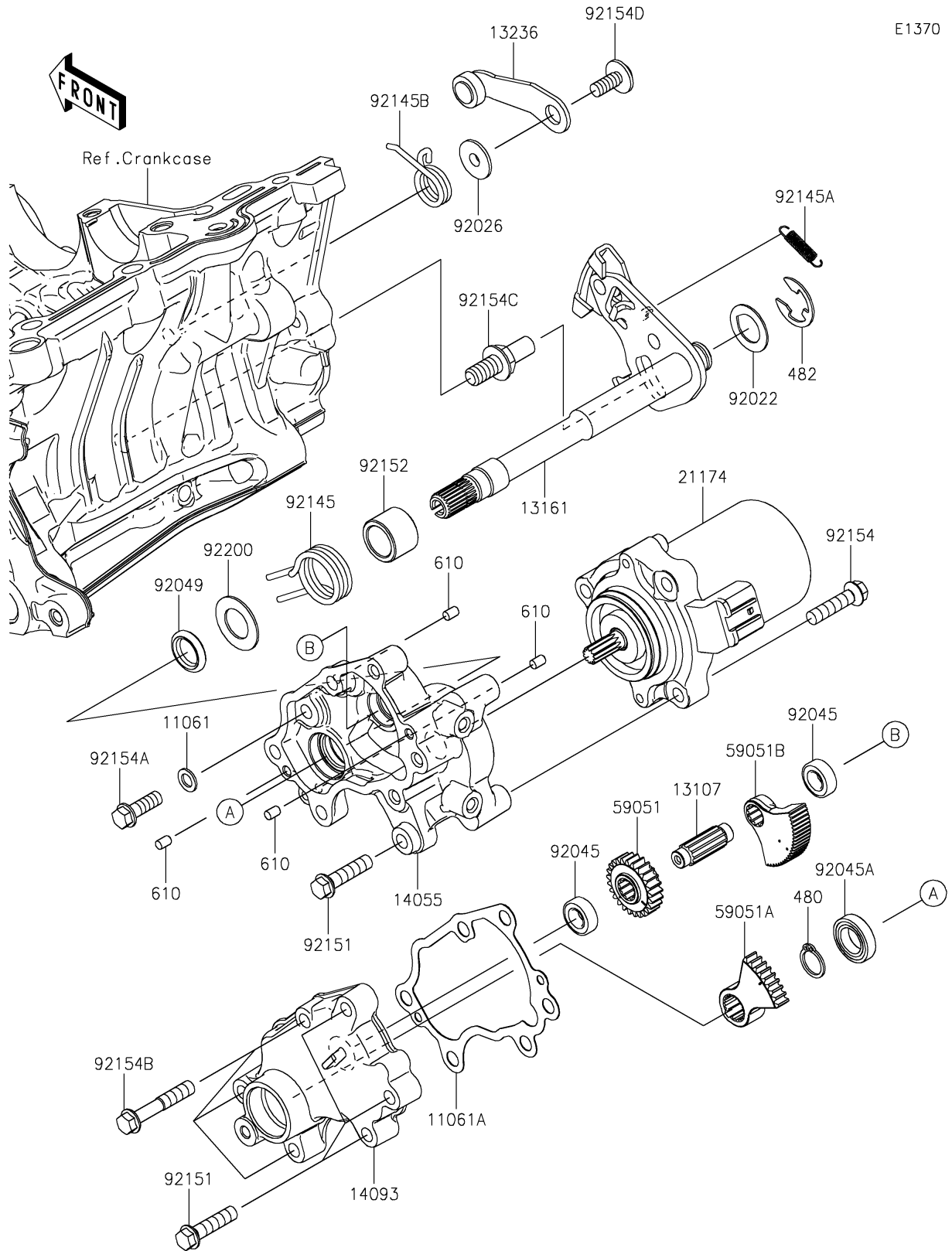


2024 NINJA® 7 HYBRID ABS PARTS DIAGRAM

Gear Change Mechanism

E1370



2024 NINJA® 7 HYBRID ABS PARTS LIST

Gear Change Mechanism

ITEM NAME	PART NUMBER	QUANTITY
GASKET,DRAIN (Ref # 11061)	11061-0875	1
GASKET,CASE-GEAR (Ref # 11061A)	11061-1552	1
SHAFT (Ref # 13107)	13107-0960	1
LEVER-COMP-CHANGE SHAFT (Ref # 13161)	13161-0614	1
LEVER-COMP (Ref # 13236)	13236-0847	1
CASE-GEAR (Ref # 14055)	14055-0664	1
COVER (Ref # 14093)	14093-1286	1
MOTOR-ELECTRIC,SHIFT CHANGE (Ref # 21174)	21174-0020	1
GEAR-SPUR,DRIVEN (Ref # 59051)	59051-0868	1
GEAR-SPUR,DRIVEN (Ref # 59051A)	59051-0870	1
GEAR-SPUR,DRIVE (Ref # 59051B)	59051-0884	1
WASHER,CHANGE SHAFT (Ref # 92022)	92022-1628	1
SPACER (Ref # 92026)	92026-1217	1
BEARING-BALL,8X16X5 (Ref # 92045)	92045-0958	2
BEARING-BALL,6801DD NS7S (Ref # 92045A)	92045-0959	1
SEAL-OIL,VB13193 (Ref # 92049)	92049-1398	1
SPRING,RETURN (Ref # 92145)	92145-1783	1
SPRING,PAWL RETURN (Ref # 92145A)	92145-1813	1
SPRING,DRUM POSITION (Ref # 92145B)	92145-1814	1
BOLT,FLANGED-SMALL,6X25 (Ref # 92151)	92151-1930	4
COLLAR,14.2X19.9X14.3 (Ref # 92152)	92152-2370	1
BOLT,FLANGED,6X25 (Ref # 92154)	92154-0520	3
BOLT,FLANGED,6X18 (Ref # 92154A)	92154-1775	1
BOLT,FLANGED,6X35 (Ref # 92154B)	92154-1779	3
BOLT,RETURN SPRING (Ref # 92154C)	92154-1838	1
BOLT,SOCKET,6X14 (Ref # 92154D)	92154-2731	1
WASHER,14.2X25X1 (Ref # 92200)	92200-1933	1
CIRCLIP-TYPE-C,12MM (Ref # 480)	480J1200	1
CIRCLIP-TYPE-E,12MM (Ref # 482)	482J0200	1

2024 NINJA® 7 HYBRID ABS PARTS LIST

Gear Change Mechanism

ITEM NAME	PART NUMBER	QUANTITY
ROLLER,4X6 (Ref # 610)	610A0406	4