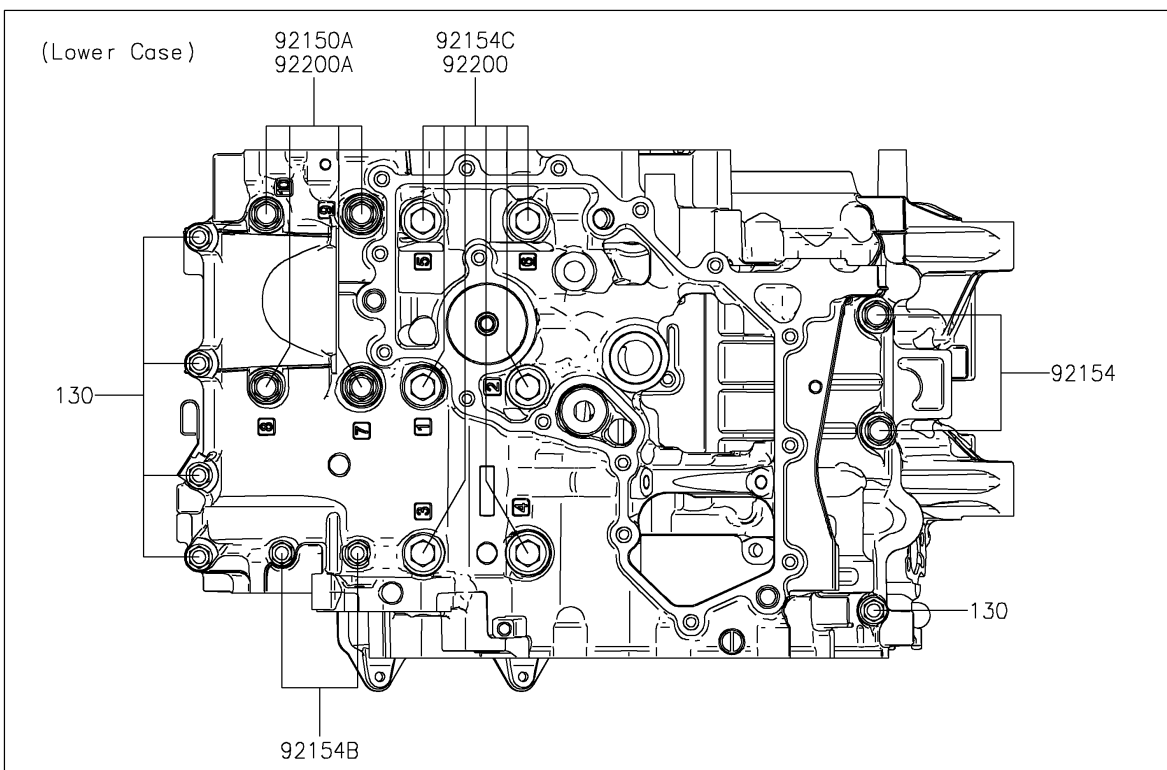
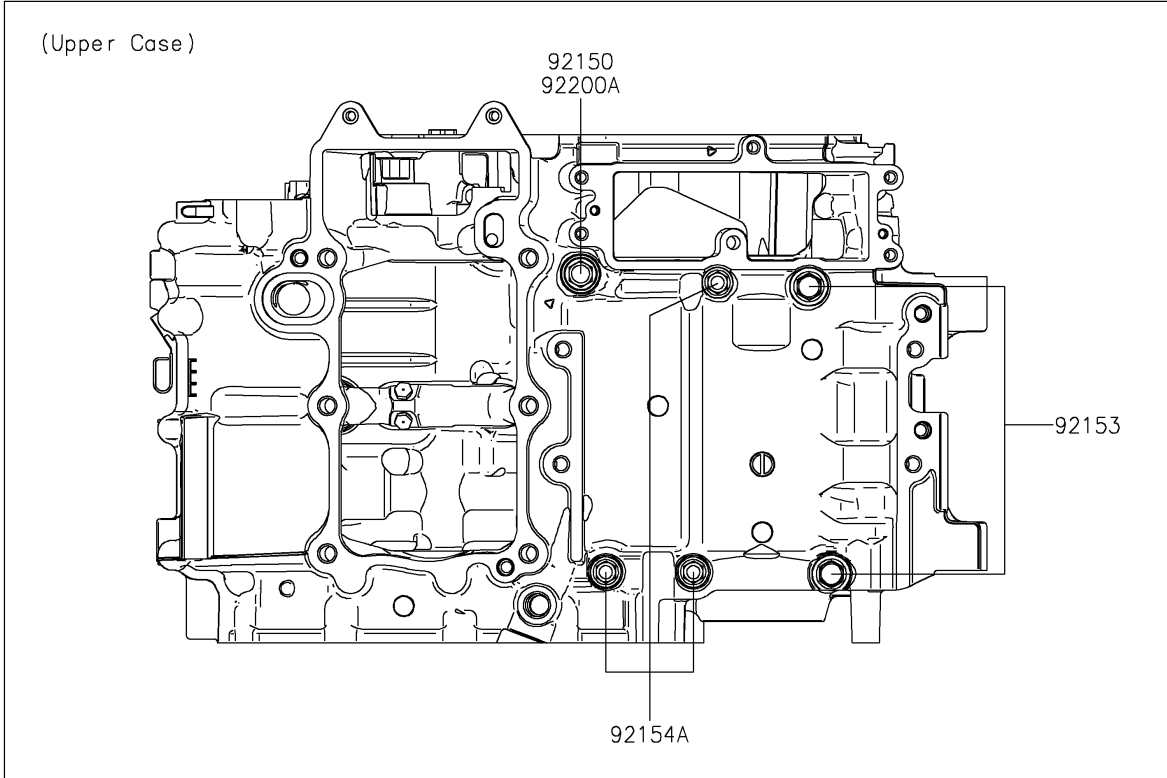


2024 NINJA[®] 7 HYBRID ABS PARTS DIAGRAM

Crankcase Bolt Pattern

E1412



2024 NINJA® 7 HYBRID ABS PARTS LIST

Crankcase Bolt Pattern

ITEM NAME	PART NUMBER	QUANTITY
BOLT,8X80 (Ref # 92150)	92150-1162	1
BOLT,8X70 (Ref # 92150A)	92150-1483	4
BOLT,8X63 (Ref # 92153)	92153-1110	2
BOLT,FLANGED,8X40 (Ref # 92154)	92154-0992	2
BOLT,FLANGED,6X52 (Ref # 92154A)	92154-2680	3
BOLT,FLANGED,6X76 (Ref # 92154B)	92154-2681	2
BOLT,FLANGED,9X105 (Ref # 92154C)	92154-2986	6
WASHER,9.2X19X2.3 (Ref # 92200)	92200-0115	6
WASHER,HEAD (Ref # 92200A)	92200-0273	5
BOLT-FLANGED,6X30 (Ref # 130)	130CA0630	5