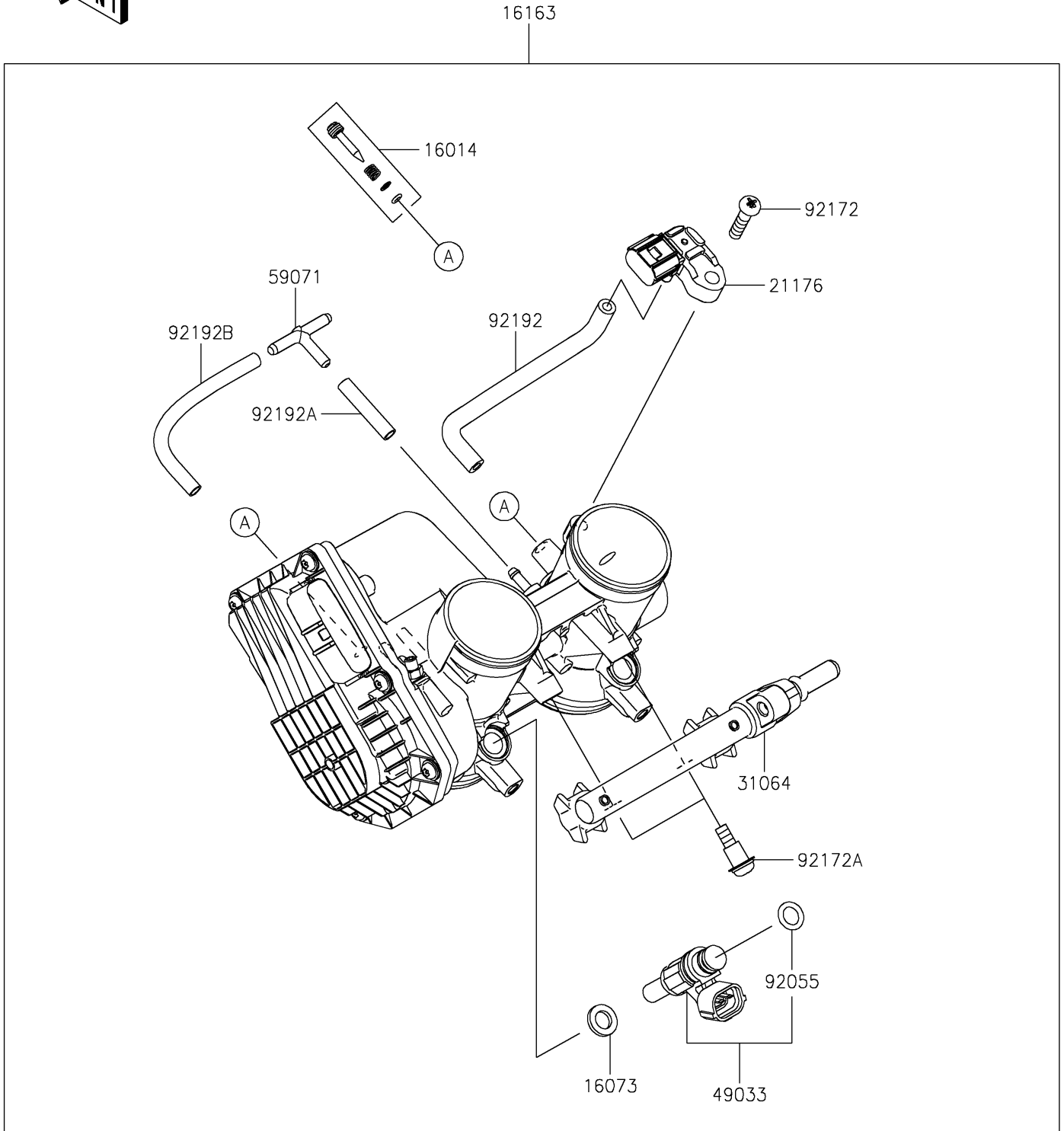


2024 NINJA® 7 HYBRID ABS PARTS DIAGRAM

Throttle

E1510



2024 NINJA® 7 HYBRID ABS PARTS LIST

Throttle

| ITEM NAME | PART NUMBER | QUANTITY |
|---------------------------------------|-------------|----------|
| SCREW-PILOT AIR (Ref # 16014) | 16014-0023 | 2 |
| INSULATOR (Ref # 16073) | 16073-0884 | 2 |
| THROTTLE-ASSY (Ref # 16163) | 16163-1299 | 1 |
| SENSOR,PRESSURE (Ref # 21176) | 21176-0906 | 1 |
| PIPE-COMP (Ref # 31064) | 31064-0772 | 1 |
| NOZZLE-INJECTION (Ref # 49033) | 49033-0563 | 2 |
| JOINT (Ref # 59071) | 59071-0749 | 1 |
| RING-O,INJECTION NOZZLE (Ref # 92055) | 92055-0124 | 2 |
| SCREW (Ref # 92172) | 92172-1383 | 1 |
| SCREW (Ref # 92172A) | 92172-1384 | 2 |
| TUBE (Ref # 92192) | 92192-2368 | 1 |
| TUBE,3X6X30 (Ref # 92192A) | 92192-2745 | 1 |
| TUBE,3X6X95 (Ref # 92192B) | 92192-2746 | 1 |