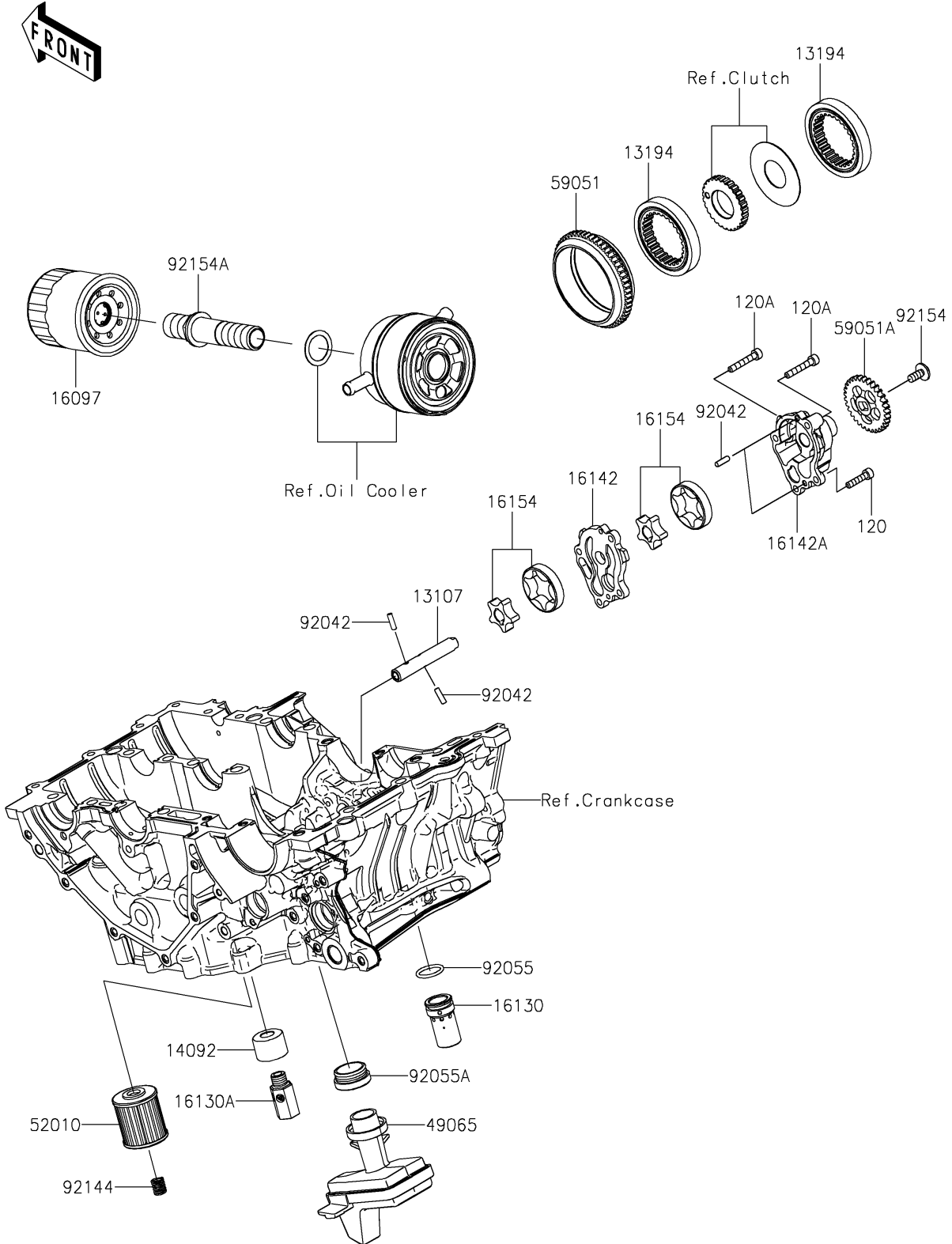


2024 NINJA® 7 HYBRID ABS PARTS DIAGRAM

Oil Pump/Oil Filter

E1710



2024 NINJA® 7 HYBRID ABS PARTS LIST

Oil Pump/Oil Filter

ITEM NAME	PART NUMBER	QUANTITY
SHAFT (Ref # 13107)	13107-0958	1
CLUTCH-ONEWAY (Ref # 13194)	13194-0026	2
COVER,RELIEF VALVE (Ref # 14092)	14092-1002	1
FILTER-ASSY-OIL (Ref # 16097)	16097-0552	1
VALVE-ASSY-RELIEF (Ref # 16130)	16130-0015	1
VALVE-ASSY-RELIEF (Ref # 16130A)	16130-1058	1
COVER-PUMP,ENG-CLUTCH (Ref # 16142)	16142-0767	1
COVER-PUMP,ENG (Ref # 16142A)	16142-0768	1
ROTOR-PUMP (Ref # 16154)	16154-0774	2
FILTER-OIL (Ref # 49065)	49065-0728	1
ELEMENT-OIL FILTER (Ref # 52010)	52010-0001	1
GEAR-SPUR,DRIVE (Ref # 59051)	59051-0866	1
GEAR-SPUR,DRIVEN (Ref # 59051A)	59051-0867	1
PIN,DOWEL,4X13.8 (Ref # 92042)	92042-030	4
RING-O,18.8X2.4 (Ref # 92055)	92055-0023	1
RING-O,OIL FILTER (Ref # 92055A)	92055-1354	1
SPRING (Ref # 92144)	92144-1761	1
BOLT,SOCKET,6X14 (Ref # 92154)	92154-2731	1
BOLT,FILTER (Ref # 92154A)	92154-4480	1
BOLT-SOCKET,5X22 (Ref # 120)	120CA0522	2
BOLT-SOCKET,5X30 (Ref # 120A)	120CA0530	2