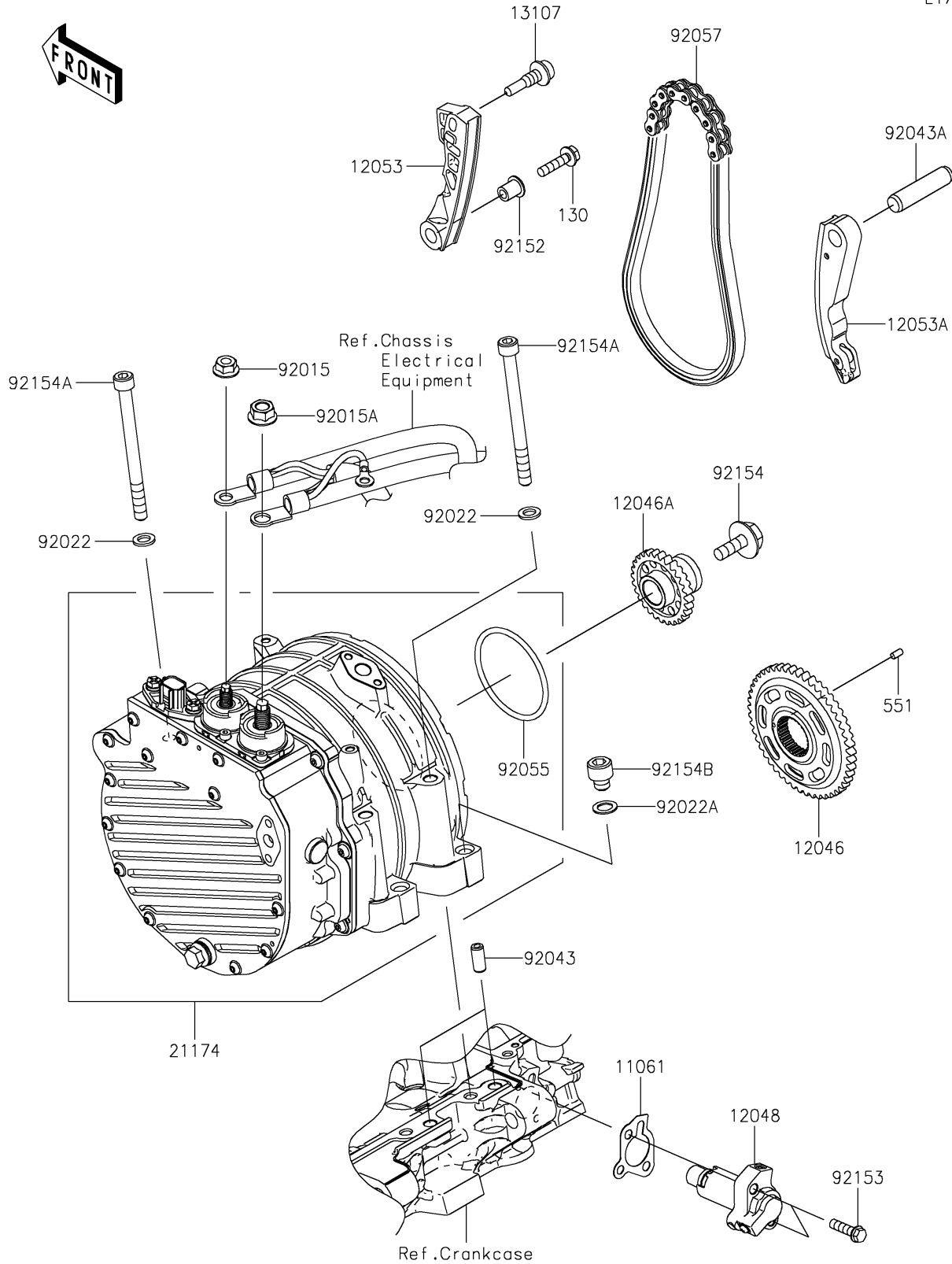


2024 NINJA® 7 HYBRID ABS PARTS DIAGRAM

Electric Motor

E1750



2024 NINJA® 7 HYBRID ABS PARTS LIST

Electric Motor

ITEM NAME	PART NUMBER	QUANTITY
GASKET,TENSIONER (Ref # 11061)	11061-0796	1
SPROCKET,DRIVEN (Ref # 12046)	12046-0636	1
SPROCKET,DRIVE (Ref # 12046A)	12046-0637	1
TENSIONER-ASSY (Ref # 12048)	12048-0130	1
GUIDE-CHAIN,FR (Ref # 12053)	12053-0319	1
GUIDE-CHAIN,RR (Ref # 12053A)	12053-0320	1
SHAFT,CHAIN GUIDE (Ref # 13107)	13107-0157	1
MOTOR-ELECTRIC (Ref # 21174)	21174-0030	1
NUT,FLANGED,8MM (Ref # 92015)	92015-1014	1
NUT,10MM (Ref # 92015A)	92015-1021	1
WASHER,8.5X14.5X1.6 (Ref # 92022)	92022-1470	4
WASHER,10.2X16X1 (Ref # 92022A)	92022-1829	2
PIN (Ref # 92043)	92043-1770	2
PIN (Ref # 92043A)	92043-1774	1
RING-O,59.6X3.5 (Ref # 92055)	92055-0974	1
CHAIN,T112 (Ref # 92057)	92057-0865	1
COLLAR (Ref # 92152)	92152-0413	1
BOLT,FLANGED-SMALL,6X22 (Ref # 92153)	92153-1560	2
BOLT,FLANGED,8X23 (Ref # 92154)	92154-0187	1
BOLT,SOCKET,8X100 (Ref # 92154A)	92154-4478	4
BOLT,SOCKET,10X10 (Ref # 92154B)	92154-7167	2
BOLT-FLANGED,6X25 (Ref # 130)	130CA0625	1
PIN-DOWEL,4X8 (Ref # 551)	551A0408	1