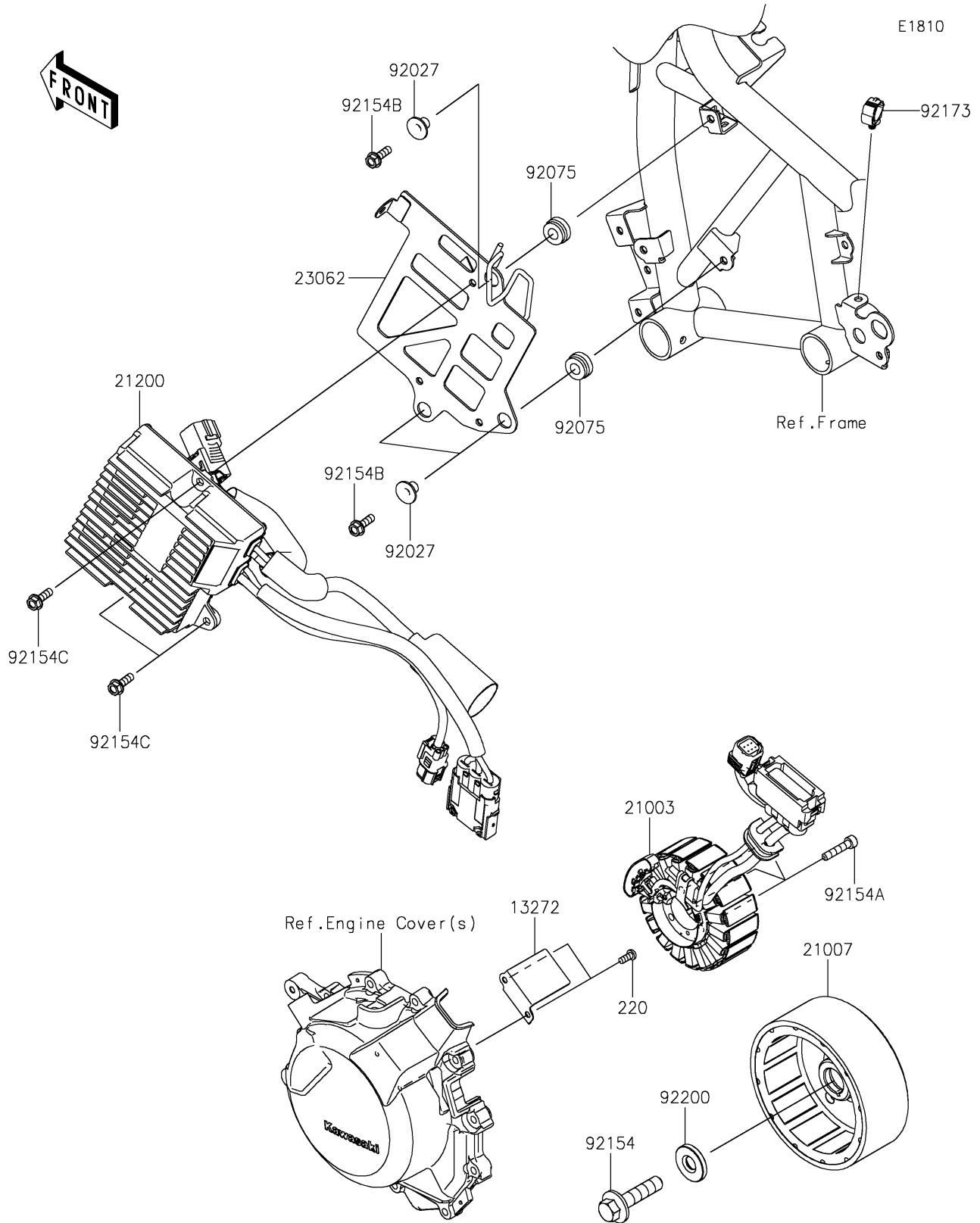


# 2024 NINJA® 7 HYBRID ABS PARTS DIAGRAM

Generator



## 2024 NINJA® 7 HYBRID ABS PARTS LIST

### Generator

ITEM NAME	PART NUMBER	QUANTITY
PLATE,HARNESS (Ref # 13272)	13272-4037	1
STATOR (Ref # 21003)	21003-0218	1
ROTOR (Ref # 21007)	21007-0740	1
INVERTER (Ref # 21200)	21200-0001	1
BRACKET-COMP,INVERTER (Ref # 23062)	23062-1366	1
COLLAR,FLANGED,L=12.1,BLACK (Ref # 92027)	92027-1651	3
DAMPER (Ref # 92075)	92075-277	3
BOLT,12X50 (Ref # 92154)	92154-1826	1
BOLT,SOCKET,6X30 (Ref # 92154A)	92154-2820	3
BOLT,6X20 (Ref # 92154B)	92154-7029	3
BOLT,FLANGED,6X20 (Ref # 92154C)	92154-7513	3
CLAMP,HOLDER CLIP (Ref # 92173)	92173-0868	1
WASHER,12X33X5 (Ref # 92200)	92200-0220	1
SCREW-PAN-CROS,5X12 (Ref # 220)	220AA0512	2