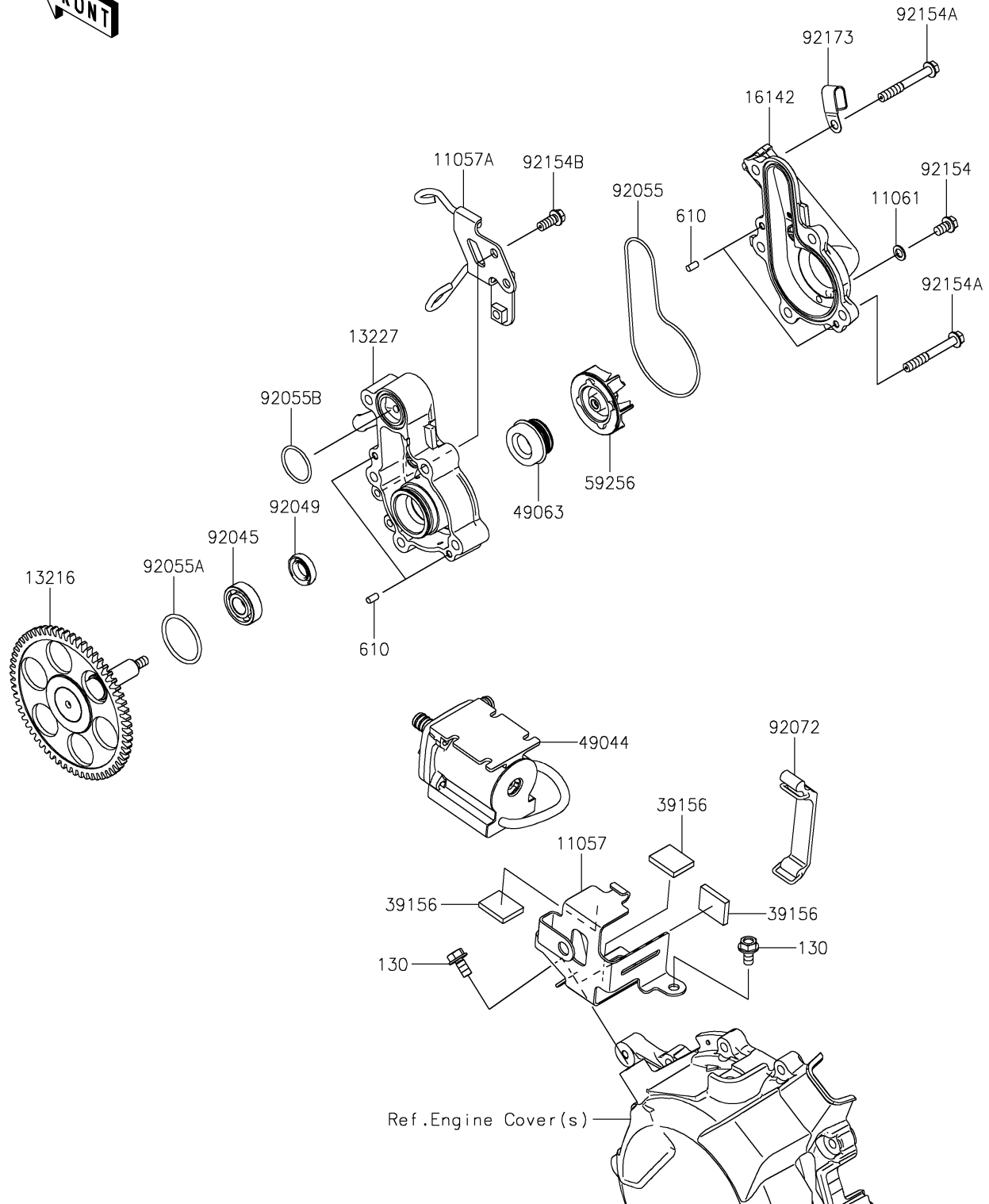


2024 NINJA® 7 HYBRID ABS PARTS DIAGRAM

Water Pump

E3031



2024 NINJA® 7 HYBRID ABS PARTS LIST

Water Pump

ITEM NAME	PART NUMBER	QUANTITY
BRACKET,WATER PUMP (Ref # 11057)	11057-7939	1
BRACKET (Ref # 11057A)	11057-7997	1
GASKET,DRAIN (Ref # 11061)	11061-0875	1
GEAR-COMP,WATER PUMP,62T (Ref # 13216)	13216-0894	1
HOUSING,WATER PUMP (Ref # 13227)	13227-0713	1
COVER-PUMP (Ref # 16142)	16142-0766	1
PAD (Ref # 39156)	39156-0285	3
PUMP-WATER (Ref # 49044)	49044-0018	1
SEAL-MECHANICAL (Ref # 49063)	49063-1055	1
IMPELLER (Ref # 59256)	59256-0554	1
BEARING-BALL (Ref # 92045)	92045-0067	1
SEAL-OIL,12X22X5 (Ref # 92049)	92049-0783	1
RING-O (Ref # 92055)	92055-0889	1
RING-O,31.20X2.4 (Ref # 92055A)	92055-0896	1
RING-O,23.3X1.9 (Ref # 92055B)	92055-1555	1
BAND,TOOL,L=82 (Ref # 92072)	92072-1294	1
BOLT,FLANGED,6X10 (Ref # 92154)	92154-2344	1
BOLT,FLANGED,6X45 (Ref # 92154A)	92154-2789	5
BOLT,FLANGED,6X14 (Ref # 92154B)	92154-2838	2
CLAMP (Ref # 92173)	92173-1828	1
BOLT-FLANGED,6X12 (Ref # 130)	130BB0612	2
ROLLER,4X8 (Ref # 610)	610A0408	4