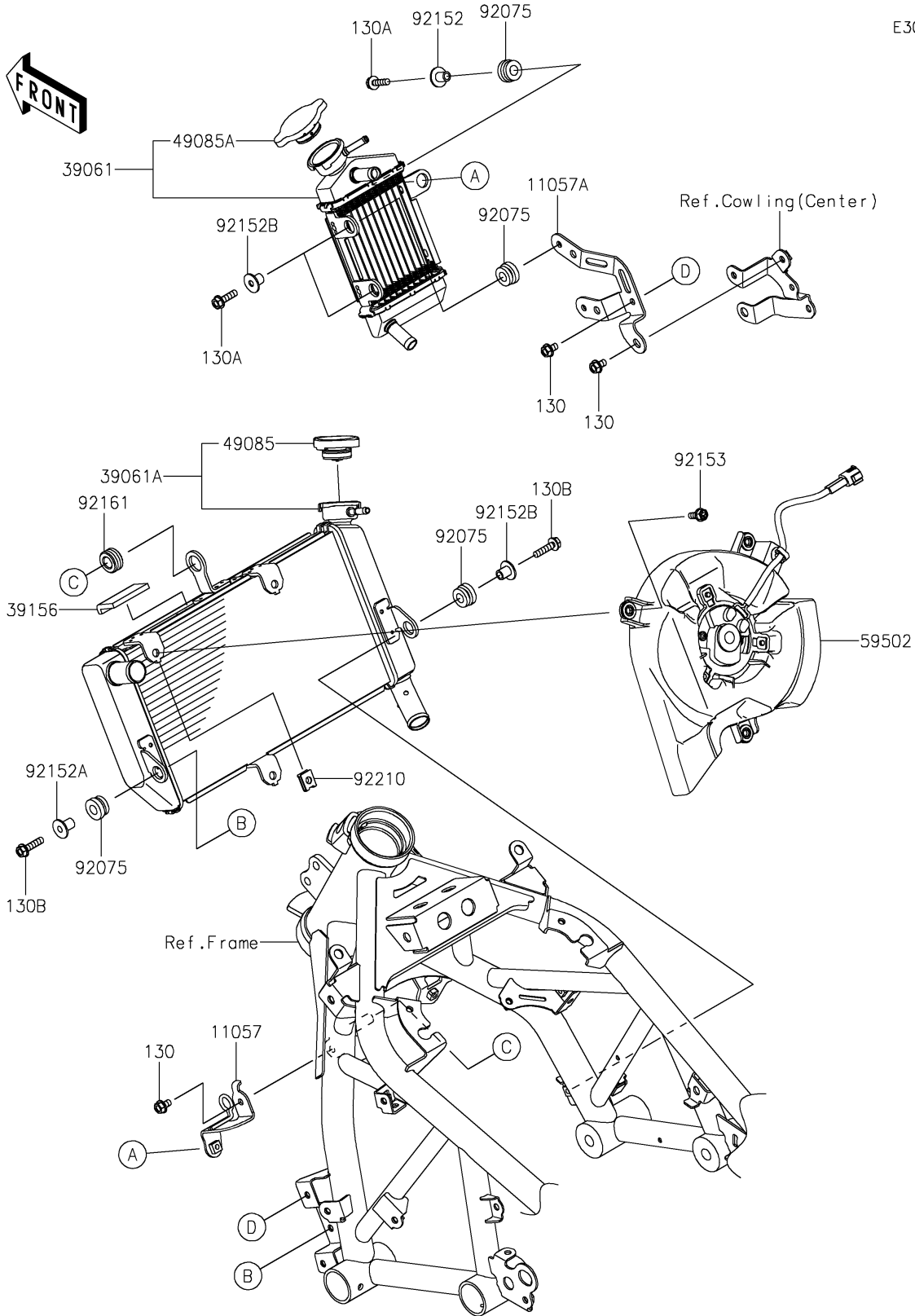


2024 Ninja® 7 Hybrid PARTS DIAGRAM

Radiator

E3032



2024 Ninja® 7 Hybrid PARTS LIST

Radiator

| ITEM NAME | PART NUMBER | QUANTITY |
|--------------------------------------|-------------|----------|
| BRACKET,RADIATOR TOP (Ref # 11057) | 11057-7940 | 1 |
| BRACKET,RADIATOR SIDE (Ref # 11057A) | 11057-7941 | 1 |
| RADIATOR-ASSY,MOTOR (Ref # 39061) | 39061-0856 | 1 |
| RADIATOR-ASSY,ENGINE (Ref # 39061A) | 39061-0867 | 1 |
| PAD,50X28X5 (Ref # 39156) | 39156-2938 | 1 |
| CAP-ASSY-PRESSURE (Ref # 49085) | 49085-0006 | 1 |
| CAP-ASSY-PRESSURE (Ref # 49085A) | 49085-0020 | 1 |
| FAN-ASSY (Ref # 59502) | 59502-0639 | 1 |
| DAMPER,RUBBER (Ref # 92075) | 92075-1123 | 5 |
| COLLAR,6.3X9.5X14.1 (Ref # 92152) | 92152-1847 | 1 |
| COLLAR (Ref # 92152A) | 92152-2721 | 1 |
| COLLAR (Ref # 92152B) | 92152-2852 | 3 |
| BOLT (Ref # 92153) | 92153-0531 | 3 |
| DAMPER (Ref # 92161) | 92161-2080 | 1 |
| NUT (Ref # 92210) | 92210-1323 | 3 |
| BOLT-FLANGED,6X10 (Ref # 130) | 130CA0610 | 3 |
| BOLT-FLANGED,6X22 (Ref # 130A) | 130CA0622 | 3 |
| BOLT-FLANGED,6X25 (Ref # 130B) | 130CA0625 | 2 |