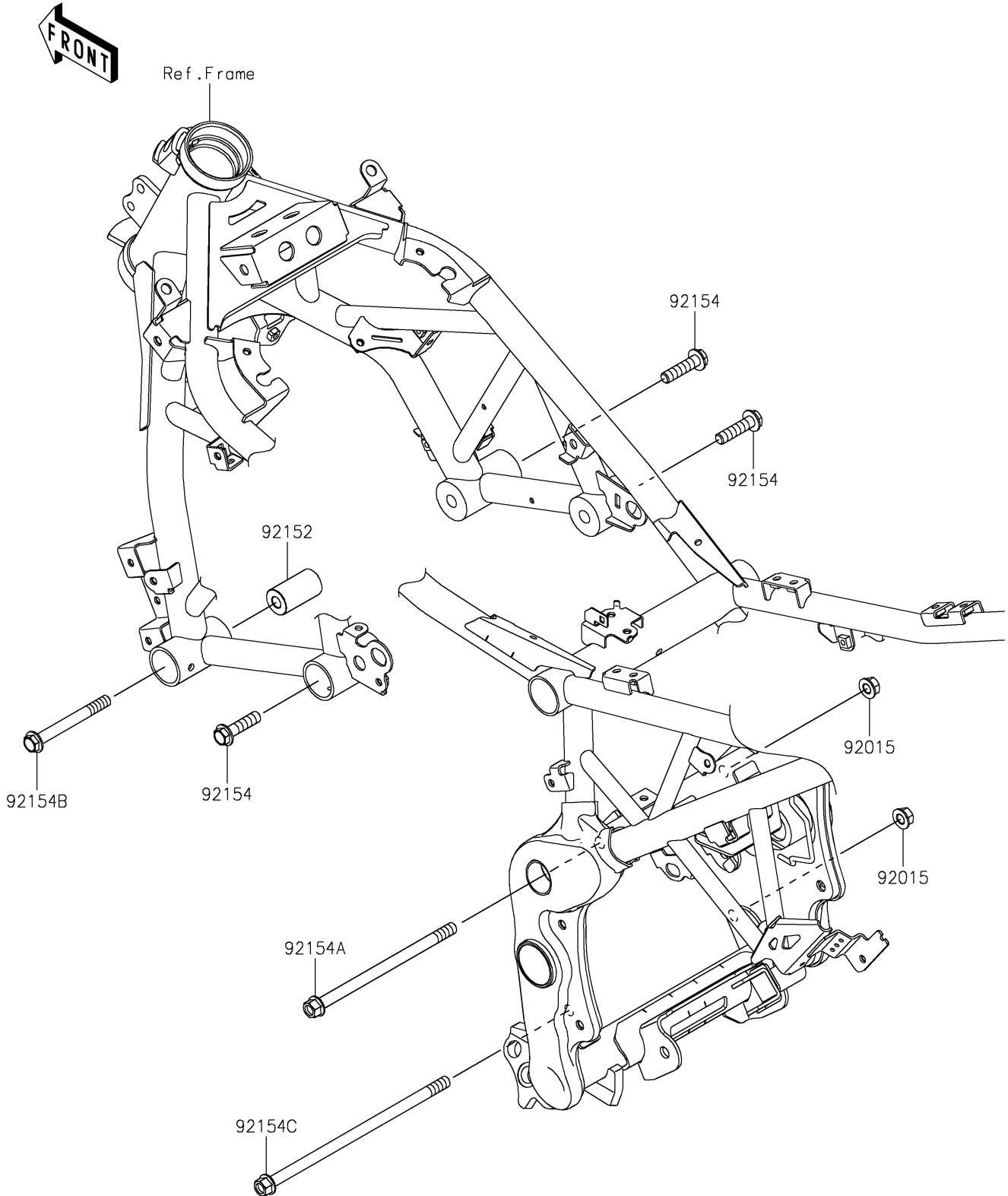


2024 NINJA® 7 HYBRID ABS PARTS DIAGRAM

Engine Mount

F2122



2024 NINJA® 7 HYBRID ABS PARTS LIST

Engine Mount

ITEM NAME	PART NUMBER	QUANTITY
NUT,FLANGED,10MM (Ref # 92015)	92015-1180	2
COLLAR,10.5X25X45 (Ref # 92152)	92152-2913	1
BOLT,FLANGED,10X40 (Ref # 92154)	92154-2812	3
BOLT,FLANGED,10X170 (Ref # 92154A)	92154-4227	1
BOLT,FLANGED,10X90 (Ref # 92154B)	92154-7155	1
BOLT,FLANGED,10X223 (Ref # 92154C)	92154-7165	1