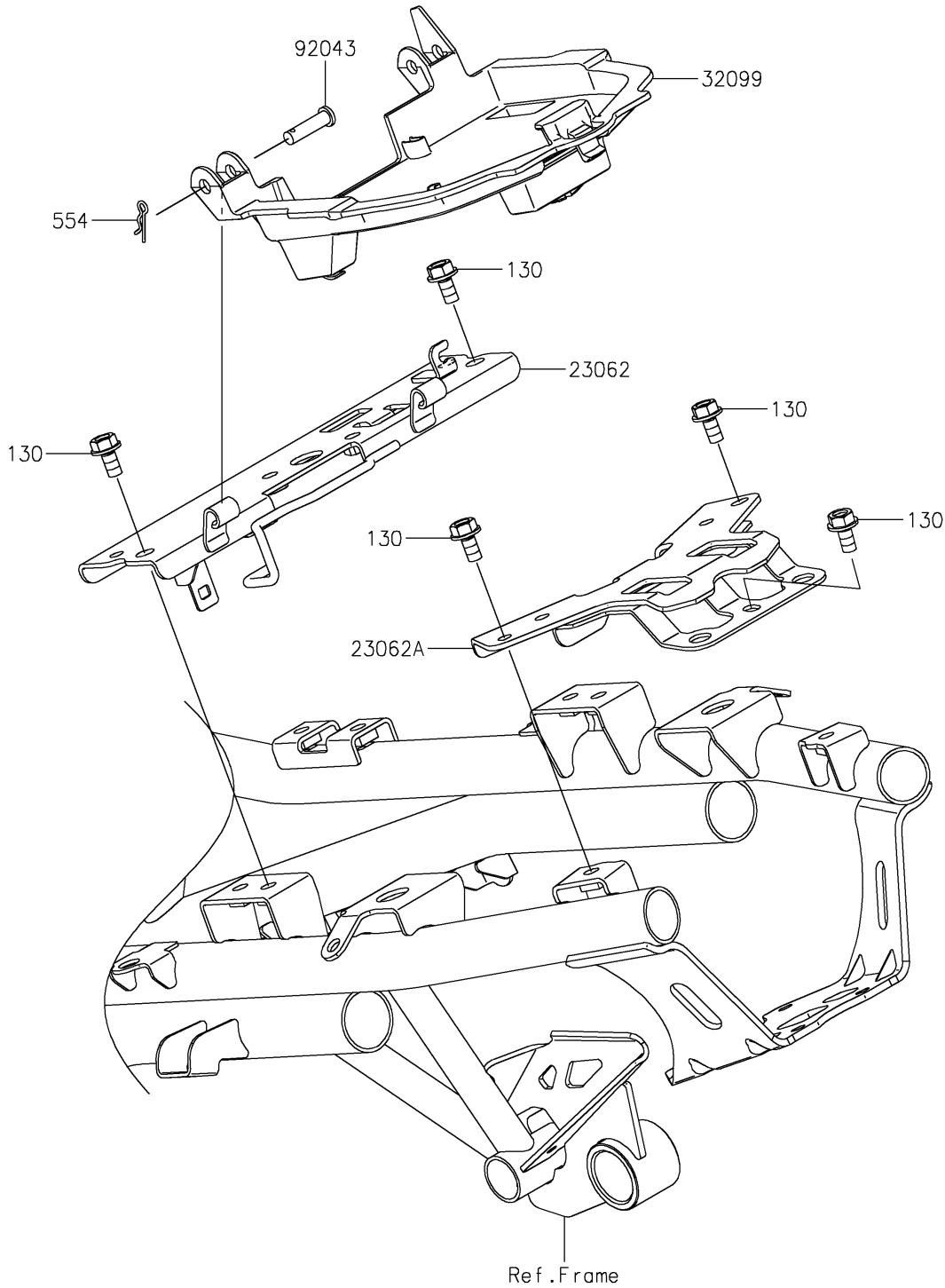


# 2024 NINJA® 7 HYBRID ABS PARTS DIAGRAM

Frame Fittings

F2131



## 2024 NINJA® 7 HYBRID ABS PARTS LIST

### Frame Fittings

ITEM NAME	PART NUMBER	QUANTITY
BRACKET-COMP,RR SEAT,FR (Ref # 23062)	23062-1370	1
BRACKET-COMP,RR SEAT,RR (Ref # 23062A)	23062-1371	1
CASE,SEAT UNDER (Ref # 32099)	32099-0787	1
PIN,6X23 (Ref # 92043)	92043-0746	2
BOLT-FLANGED,6X12 (Ref # 130)	130BA0612	7
PIN-SNAP,1.2X21.2 (Ref # 554)	554DA0600	2