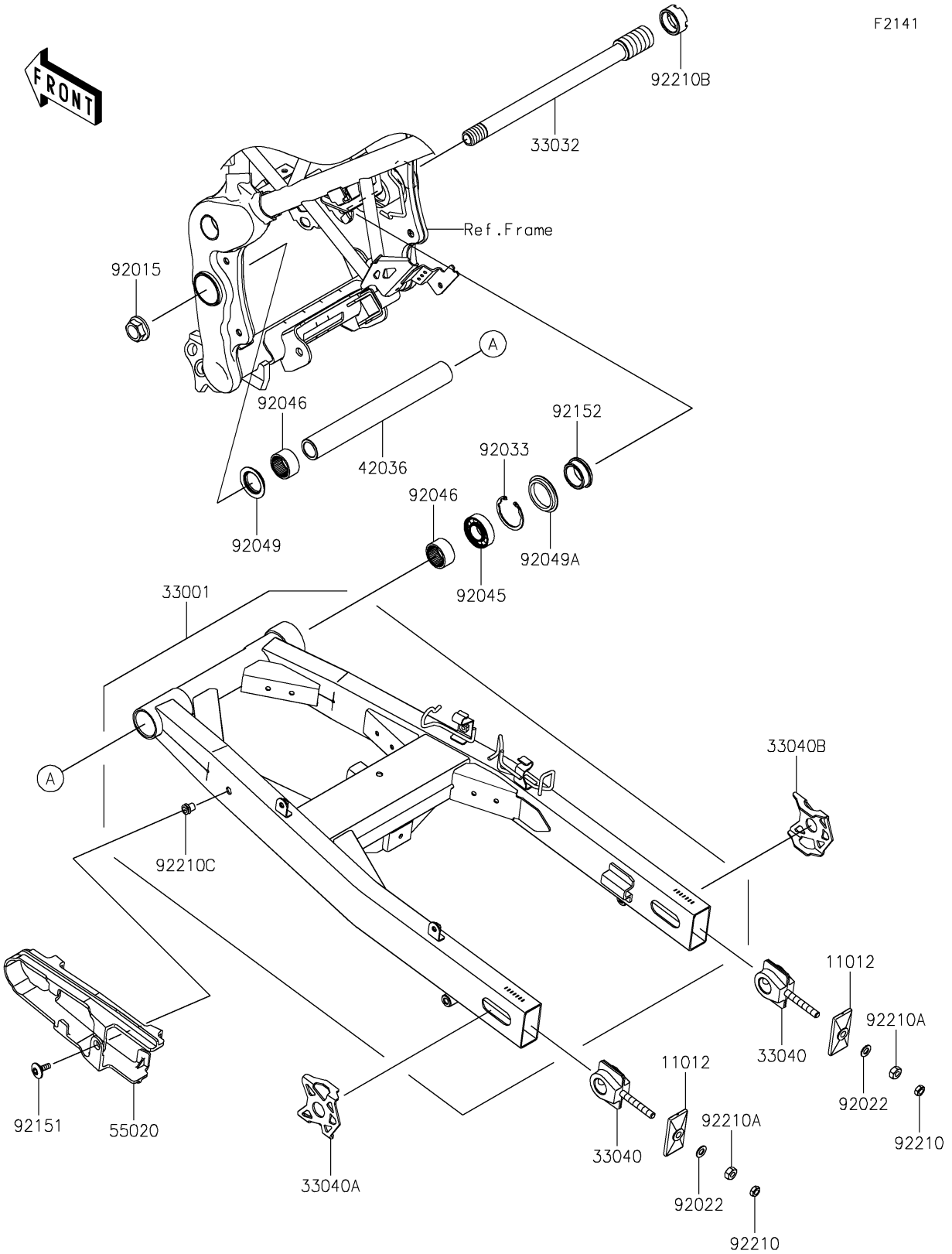


# 2024 NINJA® 7 HYBRID ABS PARTS DIAGRAM

Swingarm

F2141



## 2024 NINJA® 7 HYBRID ABS PARTS LIST

### Swingarm

ITEM NAME	PART NUMBER	QUANTITY
CAP,CHAIN ADJUSTER,F.S.BLACK (Ref # 11012)	11012-1871-18R	2
ARM-COMP-SWING,F.S.BLACK (Ref # 33001)	33001-0754-18R	1
SHAFT-SWING ARM,20X269 (Ref # 33032)	33032-0055	1
ADJUSTER-CHAIN,INNER (Ref # 33040)	33040-0104	2
ADJUSTER-CHAIN,OUTER,LH,BLACK (Ref # 33040A)	33040-0112-18R	1
ADJUSTER-CHAIN,OUTER,RH,BLACK (Ref # 33040B)	33040-0113-18R	1
SLEEVE,SWING ARM,L=237 (Ref # 42036)	42036-1264	1
GUARD,CHAIN (Ref # 55020)	55020-2412	1
NUT,FLANGED,20MM (Ref # 92015)	92015-1724	1
WASHER,8.5X16X1.2 (Ref # 92022)	92022-1582	2
RING-SNAP,42MM (Ref # 92033)	92033-1041	1
BEARING-BALL,6004UL11 (Ref # 92045)	92045-0017	1
BEARING-NEEDLE,7E-HVS 28X34X17 (Ref # 92046)	92046-0008	2
SEAL-OIL,28X34X5.7 (Ref # 92049)	92049-1181	1
SEAL-OIL,MHA 35 42 5.7F (Ref # 92049A)	92049-1380	1
BOLT,SOCKET,6X18 (Ref # 92151)	92151-1149	1
COLLAR,28X35X15 (Ref # 92152)	92152-2781	1
NUT,8MM (Ref # 92210)	92210-0116	2
NUT,8MM (Ref # 92210A)	92210-0117	2
NUT,28MM (Ref # 92210B)	92210-1575	1
NUT,POP,6MM,L=15 (Ref # 92210C)	92210-1897	1