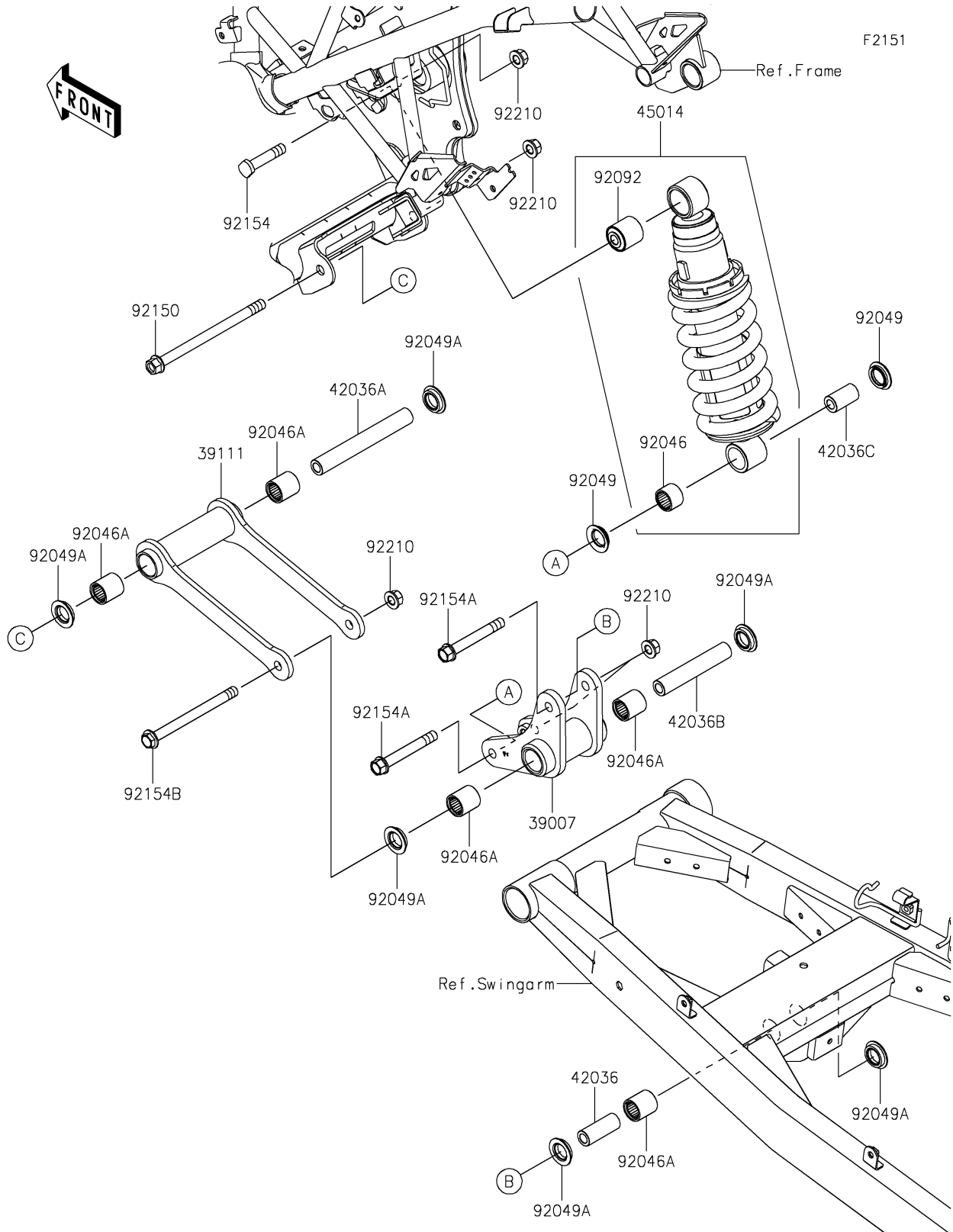


2024 NINJA® 7 HYBRID ABS PARTS DIAGRAM

Suspension/Shock Absorber



2024 NINJA® 7 HYBRID ABS PARTS LIST

Suspension/Shock Absorber

ITEM NAME	PART NUMBER	QUANTITY
ARM-SUSP (Ref # 39007)	39007-0485	1
ROD-TIE (Ref # 39111)	39111-0394	1
SLEEVE,10.1X17X44.5 (Ref # 42036)	42036-0718	1
SLEEVE,10.1X17X130 (Ref # 42036A)	42036-0885	1
SLEEVE,10.1X17X96 (Ref # 42036B)	42036-0886	1
SLEEVE,10.1X18X32 (Ref # 42036C)	42036-1344	1
SHOCKABSORBER,BLACK+BLK (Ref # 45014)	45014-0775-37S	1
BEARING-NEEDLE,SFYZM182417 (Ref # 92046)	92046-1272	1
BEARING-NEEDLE,SFYZM172425 (Ref # 92046A)	92046-1273	5
SEAL-OIL (Ref # 92049)	92049-0133	2
SEAL-OIL,MHA17245.7F (Ref # 92049A)	92049-1223	6
BUSHING-RUBBER (Ref # 92092)	92092-1058	1
BOLT,FLANGED,10X150 (Ref # 92150)	92150-1686	1
BOLT,10X50 (Ref # 92154)	92154-2165	1
BOLT,FLANGED,10X75 (Ref # 92154A)	92154-2226	2
BOLT,FLANGED,10X120 (Ref # 92154B)	92154-4060	1
NUT,LOCK,FLANGED,10MM (Ref # 92210)	92210-1139	5