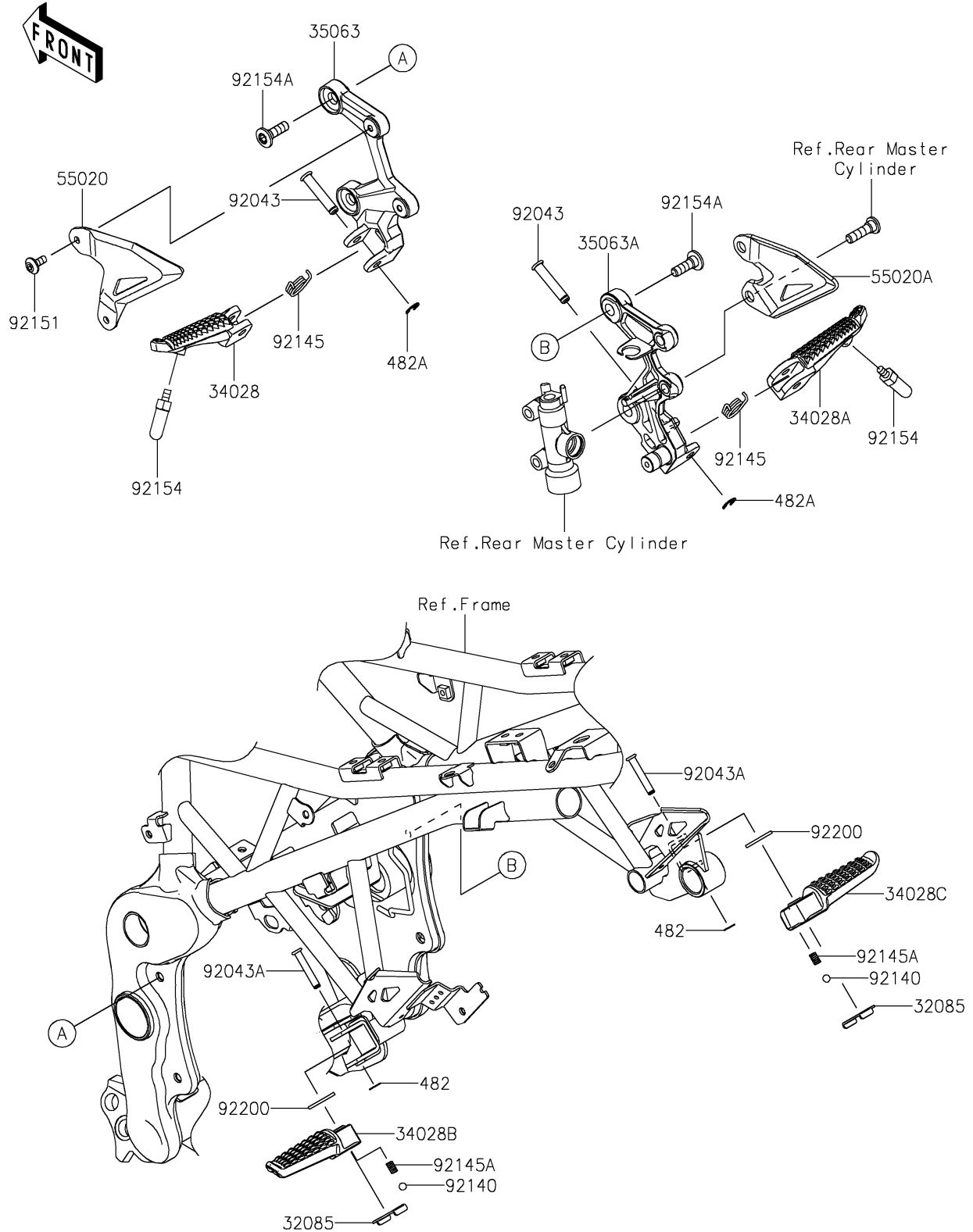


2024 NINJA® 7 HYBRID ABS PARTS DIAGRAM

Footrests

F2160



2024 NINJA® 7 HYBRID ABS PARTS LIST

Footrests

ITEM NAME	PART NUMBER	QUANTITY
STOPPER,REAR STEP (Ref # 32085)	32085-0047	2
STEP,FR,LH (Ref # 34028)	34028-0356	1
STEP,FR,RH (Ref # 34028A)	34028-0357	1
STEP,RR,LH (Ref # 34028B)	34028-0366	1
STEP,RR,RH (Ref # 34028C)	34028-0367	1
STAY,FR STEP,LH,F.S.BLACK (Ref # 35063)	35063-1584-18R	1
STAY,FR STEP,RH,F.S.BLACK (Ref # 35063A)	35063-1585-18R	1
GUARD,HEEL,LH (Ref # 55020)	55020-2195	1
GUARD,HEEL,RH (Ref # 55020A)	55020-2196	1
PIN,8X40.5 (Ref # 92043)	92043-0877	2
PIN,6X34 (Ref # 92043A)	92043-1271	2
BALL,6.35MM (Ref # 92140)	92140-0008	2
SPRING (Ref # 92145)	92145-0780	2
SPRING (Ref # 92145A)	92145-1319	2
BOLT,SOCKET,6X14 (Ref # 92151)	92151-1654	2
BOLT,BANK SENSOR (Ref # 92154)	92154-2799	2
BOLT,SOCKET,8X26 (Ref # 92154A)	92154-3747	4
WASHER,16X26X2.3 (Ref # 92200)	92200-0772	2
CIRCLIP-TYPE-E (Ref # 482)	482EA5000	2
CIRCLIP-TYPE-E (Ref # 482A)	482EA7000	2