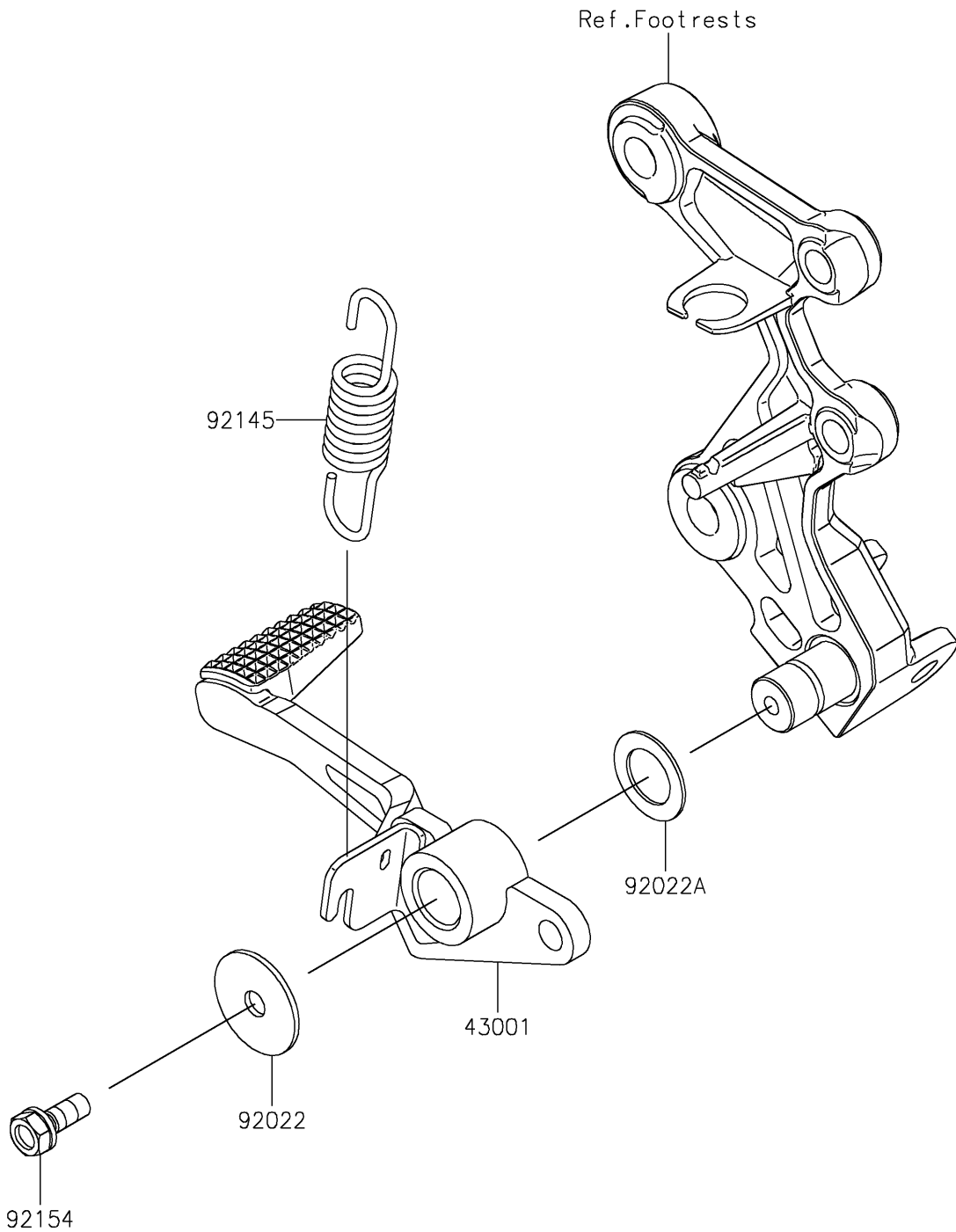


2024 NINJA® 7 HYBRID ABS PARTS DIAGRAM

Brake Pedal/Torque Link

F2260



2024 NINJA® 7 HYBRID ABS PARTS LIST

Brake Pedal/Torque Link

ITEM NAME	PART NUMBER	QUANTITY
LEVER-BRAKE,RR (Ref # 43001)	43001-0788	1
WASHER,7X28X1.6 (Ref # 92022)	92022-1282	1
WASHER,15.3X24X1 (Ref # 92022A)	92022-326	1
SPRING,BRAKE PEDAL (Ref # 92145)	92145-2263	1
BOLT,UPSET-WS,6X16 (Ref # 92154)	92154-0935	1