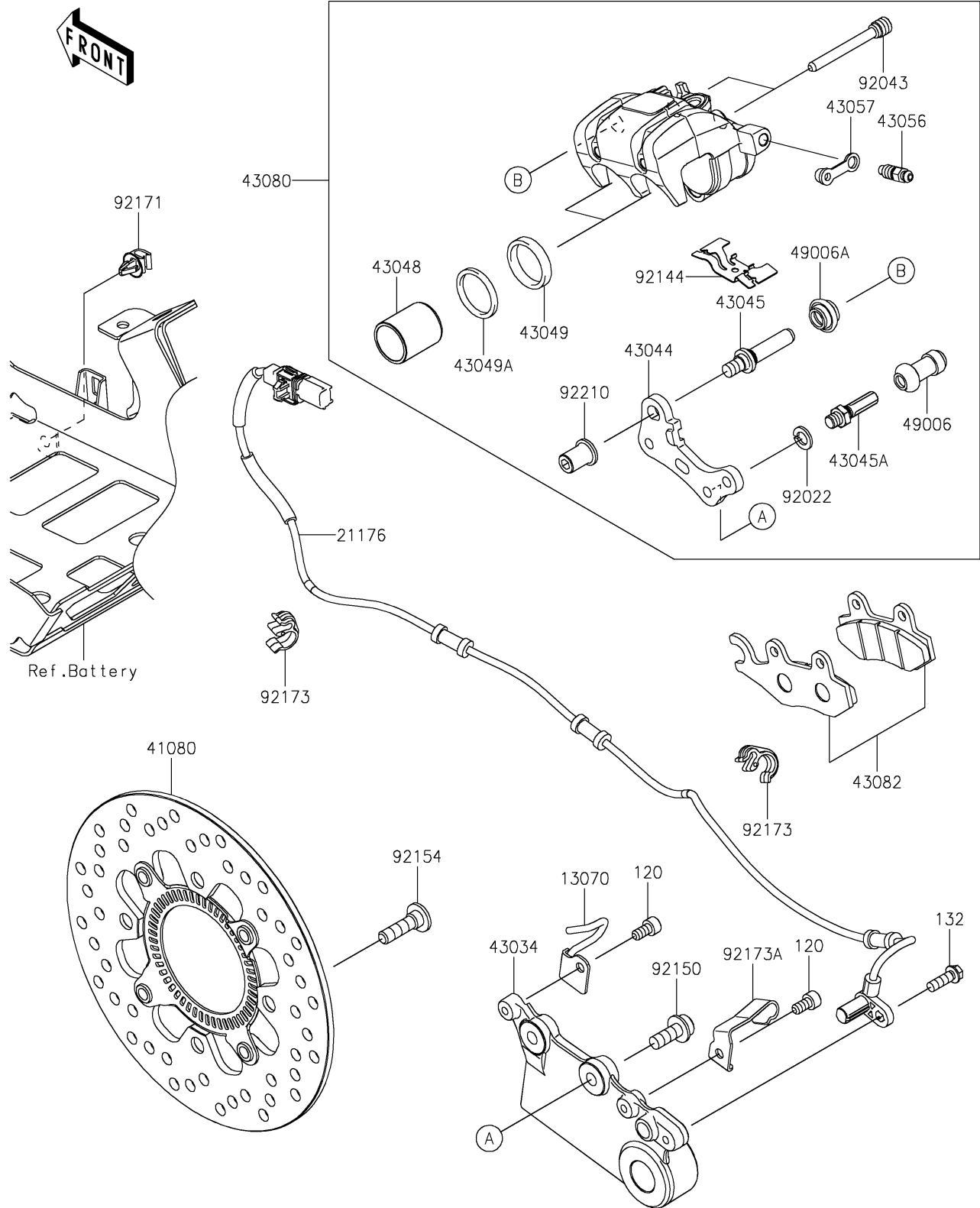


# 2024 NINJA® 7 HYBRID ABS PARTS DIAGRAM

Rear Brake

F2294



## 2024 NINJA® 7 HYBRID ABS PARTS LIST

### Rear Brake

ITEM NAME	PART NUMBER	QUANTITY
GUIDE,SPEED SENSOR (Ref # 13070)	13070-1483	1
SENSOR,SPEED,RR (Ref # 21176)	21176-1167	1
DISC,RR (Ref # 41080)	41080-0716	1
HOLDER-BRAKE (Ref # 43034)	43034-0172	1
HOLDER-COMP-CALIPER (Ref # 43044)	43044-1112	1
SHAFT-CALIPER (Ref # 43045)	43045-0013	1
SHAFT-CALIPER (Ref # 43045A)	43045-1010	1
PISTON-CALIPER (Ref # 43048)	43048-1068	2
PACKING,PISTON SEAL (Ref # 43049)	43049-1060	2
PACKING,PISTON SEAL (Ref # 43049A)	43049-1061	2
BREATHER-BRAKE (Ref # 43056)	43056-0004	1
CAP-BREATHER (Ref # 43057)	43057-1001	1
CALIPER-SUB-ASSY,RR,BLACK (Ref # 43080)	43080-0245-DJ	1
PAD-ASSY-BRAKE (Ref # 43082)	43082-0128	1
BOOT,CALIPER (Ref # 49006)	49006-1088	1
BOOT,CALIPER (Ref # 49006A)	49006-1242	1
WASHER,WAVE (Ref # 92022)	92022-1373	1
PIN,HANGER (Ref # 92043)	92043-1507	2
SPRING,PAD (Ref # 92144)	92144-1847	1
BOLT,SOCKET,8X20 (Ref # 92150)	92150-1155	2
BOLT,SOCKET,8X30 (Ref # 92154)	92154-1865	4
CLAMP (Ref # 92171)	92171-0640	1
CLAMP,HOSE&SENSOR LINE (Ref # 92173)	92173-1613	2
CLAMP,SPEED SENSOR (Ref # 92173A)	92173-2727	1
NUT (Ref # 92210)	92210-0615	1
BOLT-SOCKET,6X12 (Ref # 120)	120CA0612	2
BOLT-FLANGED-SMALL,6X18 (Ref # 132)	132BA0618	1