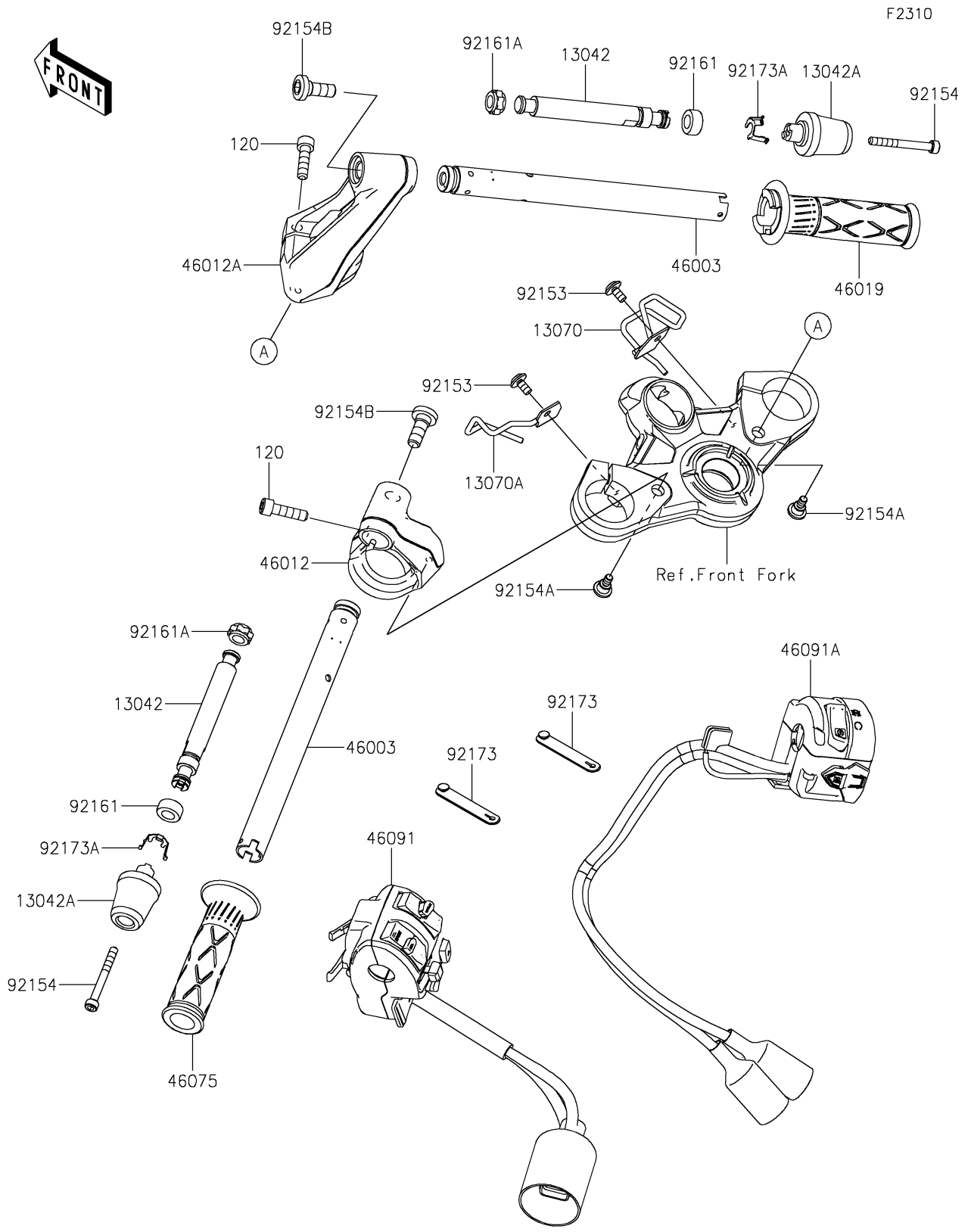


2024 NINJA® 7 HYBRID ABS PARTS DIAGRAM

Handlebar



2024 NINJA® 7 HYBRID ABS PARTS LIST

Handlebar

ITEM NAME	PART NUMBER	QUANTITY
WEIGHT,HANDLE,INNER (Ref # 13042)	13042-0810	2
WEIGHT,HANDLE,OUTER (Ref # 13042A)	13042-0811	2
GUIDE,HOUSING,RH (Ref # 13070)	13070-1404	1
GUIDE,HOUSING,LH (Ref # 13070A)	13070-1501	1
HANDLE (Ref # 46003)	46003-0820	2
HOLDER-HANDLE,LH,F.S.BLACK (Ref # 46012)	46012-0425-18R	1
HOLDER-HANDLE,RH,F.S.BLACK (Ref # 46012A)	46012-0426-18R	1
GRIP-ASSY,THROTTLE (Ref # 46019)	46019-0125	1
GRIP,HANDLE,LH (Ref # 46075)	46075-0663	1
HOUSING-ASSY-CONTROL,LH (Ref # 46091)	46091-0600	1
HOUSING-ASSY-CONTROL,RH (Ref # 46091A)	46091-0677	1
BOLT,SOCKET,6X12 (Ref # 92153)	92153-1948	2
BOLT,SOCKET,6X55 (Ref # 92154)	92154-1299	2
BOLT,SOCKET,6X16.5 (Ref # 92154A)	92154-2325	2
BOLT,SOCKET,10X27 (Ref # 92154B)	92154-4042	2
DAMPER,10X20X10 (Ref # 92161)	92161-1850	2
DAMPER,10X16X10,INNER (Ref # 92161A)	92161-1930	2
CLAMP (Ref # 92173)	92173-2199	2
CLAMP,WEIGHT (Ref # 92173A)	92173-2293	2
BOLT-SOCKET,8X30 (Ref # 120)	120CA0830	2