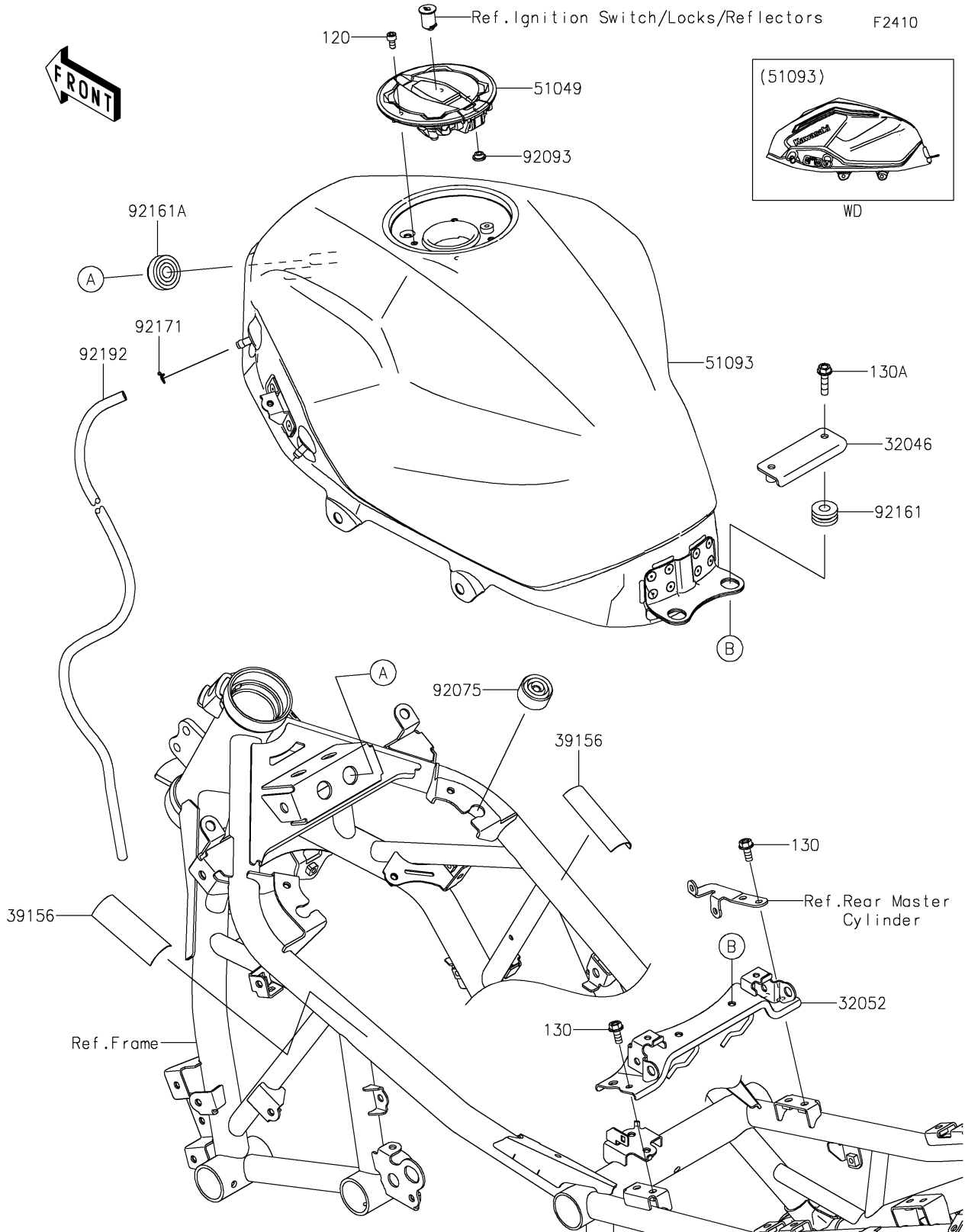


# 2024 NINJA® 7 HYBRID ABS PARTS DIAGRAM

Fuel Tank



## 2024 NINJA® 7 HYBRID ABS PARTS LIST

### Fuel Tank

ITEM NAME	PART NUMBER	QUANTITY
BRACKET-SEAT (Ref # 32046)	32046-0423	1
BRACKET-TANK (Ref # 32052)	32052-0851	1
PAD,35X75X1 (Ref # 39156)	39156-2383	2
CAP-TANK,FUEL (Ref # 51049)	51049-0756	1
TANK-COMP-FUEL,M.B.SILVER (Ref # 51093)	51093-5188-63S	1
DAMPER (Ref # 92075)	92075-015	2
SEAL,FUEL TANK CAP (Ref # 92093)	92093-1030	1
DAMPER,10X24X12 (Ref # 92161)	92161-0927	2
DAMPER,10X32X17 (Ref # 92161A)	92161-1980	2
CLAMP,8X0.7 (Ref # 92171)	92171-1973	1
TUBE,DRAIN,6X9X950 (Ref # 92192)	92192-2665	1
BOLT-SOCKET,5X12 (Ref # 120)	120CA0512	4
BOLT-FLANGED,6X14 (Ref # 130)	130BA0614	4
BOLT-FLANGED,6X25 (Ref # 130A)	130CA0625	2