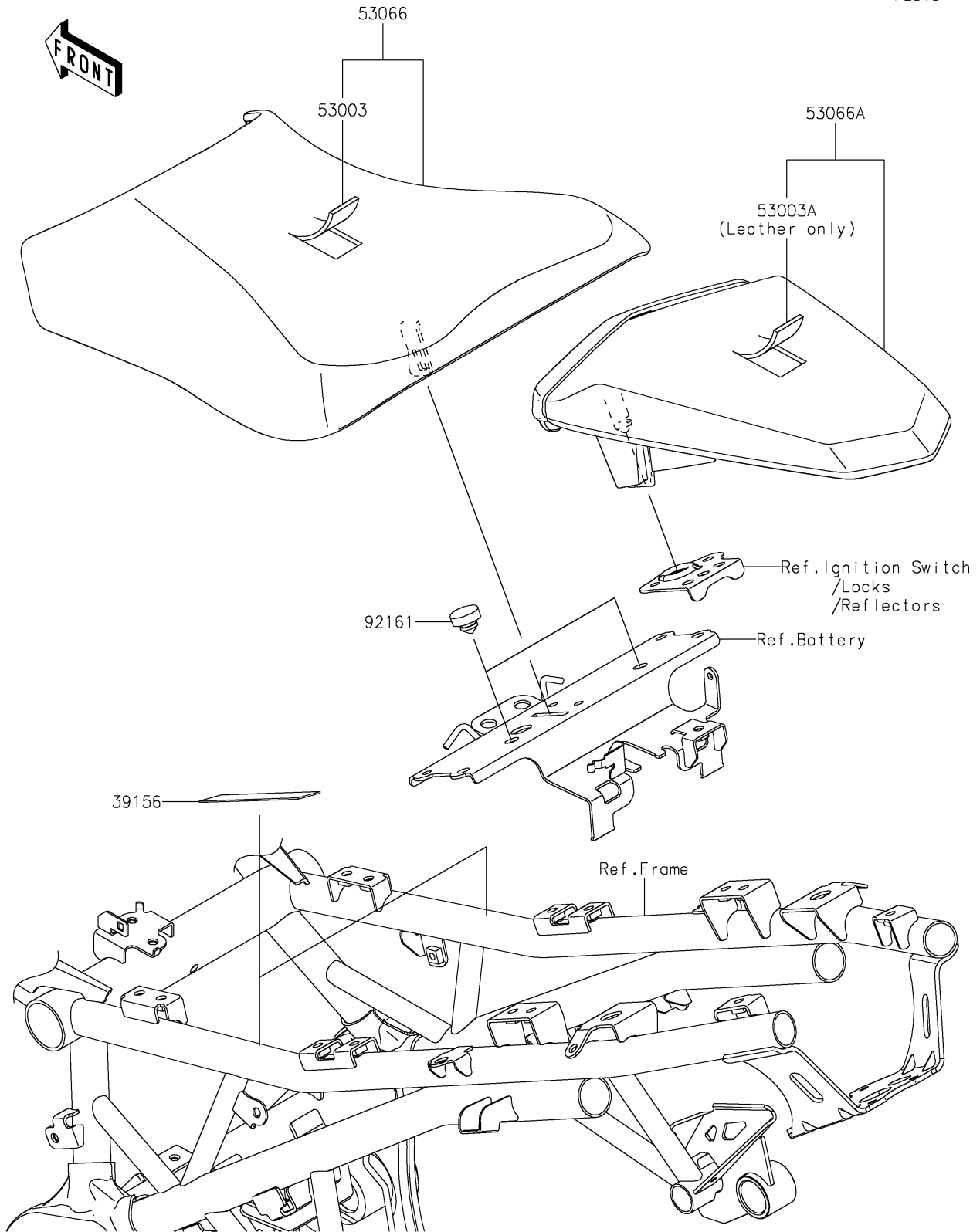


2024 Ninja® 7 Hybrid PARTS DIAGRAM

Seat

F2510



2024 Ninja® 7 Hybrid PARTS LIST

Seat

ITEM NAME	PART NUMBER	QUANTITY
PAD,35X75X1 (Ref # 39156)	39156-2383	2
LEATHER,FR,BLACK (Ref # 53003)	53003-0651-MA	1
LEATHER,RR,BLACK (Ref # 53003A)	53003-0652-MA	1
SEAT-ASSY,FR,BLACK (Ref # 53066)	53066-0860-MA	1
SEAT-ASSY,RR,BLACK+BLK (Ref # 53066A)	53066-0861-12Y	1
DAMPER,10X20X8 (Ref # 92161)	92161-0855	2