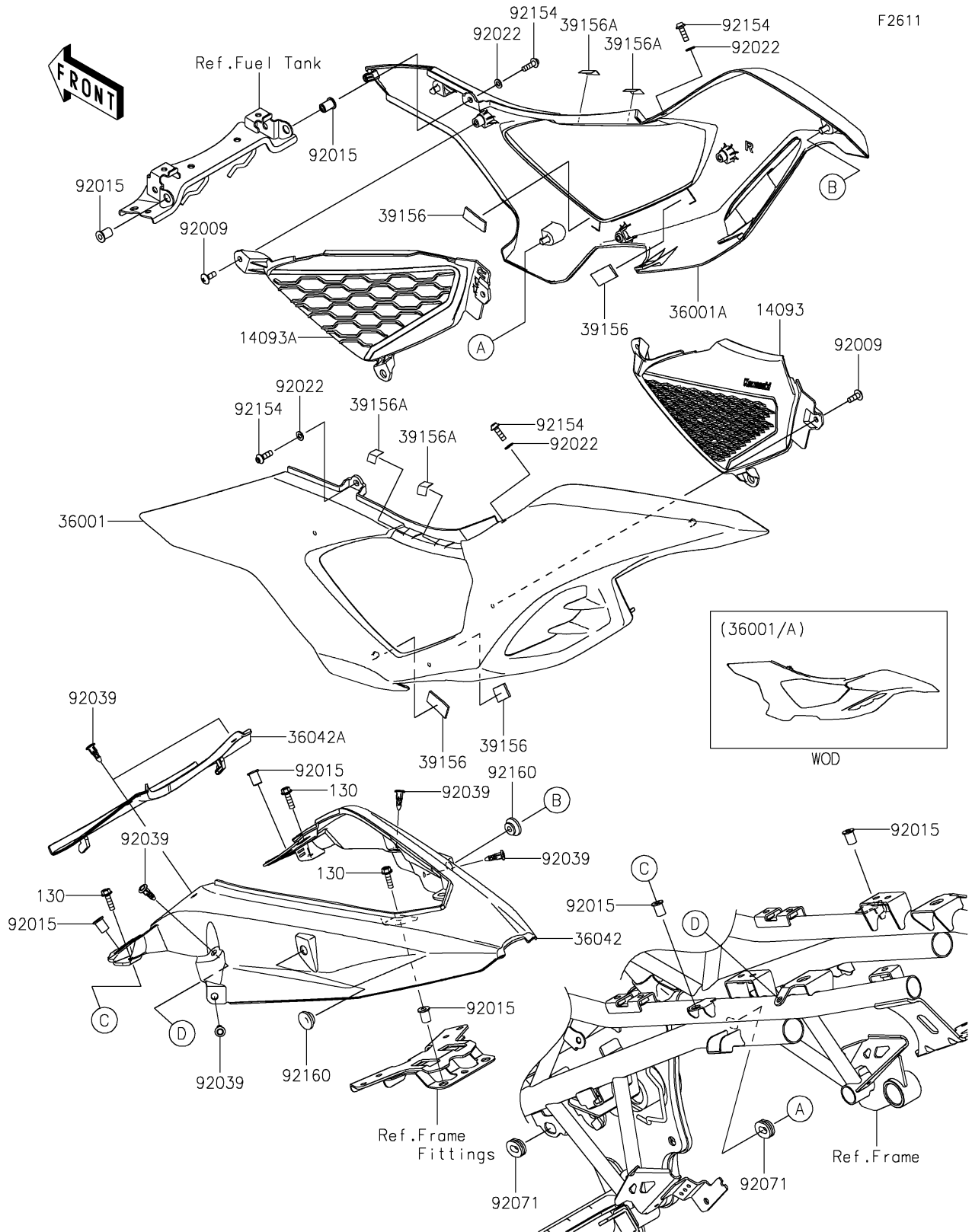


2024 NINJA® 7 HYBRID ABS PARTS DIAGRAM

Side Covers



2024 NINJA® 7 HYBRID ABS PARTS LIST

Side Covers

ITEM NAME	PART NUMBER	QUANTITY
COVER,LH (Ref # 14093)	14093-1294	1
COVER,RH (Ref # 14093A)	14093-1295	1
COVER-SIDE,LH,M.B.SILVER (Ref # 36001)	36001-0792-63S	1
COVER-SIDE,RH,M.B.SILVER (Ref # 36001A)	36001-0793-63S	1
COVER-TAIL,RR (Ref # 36042)	36042-0016	1
COVER-TAIL,FR (Ref # 36042A)	36042-0017	1
PAD,30X15X2 (Ref # 39156)	39156-2897	4
PAD,17X17X0.36 (Ref # 39156A)	39156-2898	4
SCREW,TAPPING,5X14 (Ref # 92009)	92009-1197	6
NUT,WELL,5MM (Ref # 92015)	92015-1757	8
WASHER,5.1X10X1.0 (Ref # 92022)	92022-1977	4
RIVET (Ref # 92039)	92039-0709	6
GROMMET,11X23X7 (Ref # 92071)	92071-0762	2
BOLT,SOCKET,5X16 (Ref # 92154)	92154-4294	4
DAMPER (Ref # 92160)	92160-1613	2
BOLT-FLANGED,5X18 (Ref # 130)	130BA0518	4