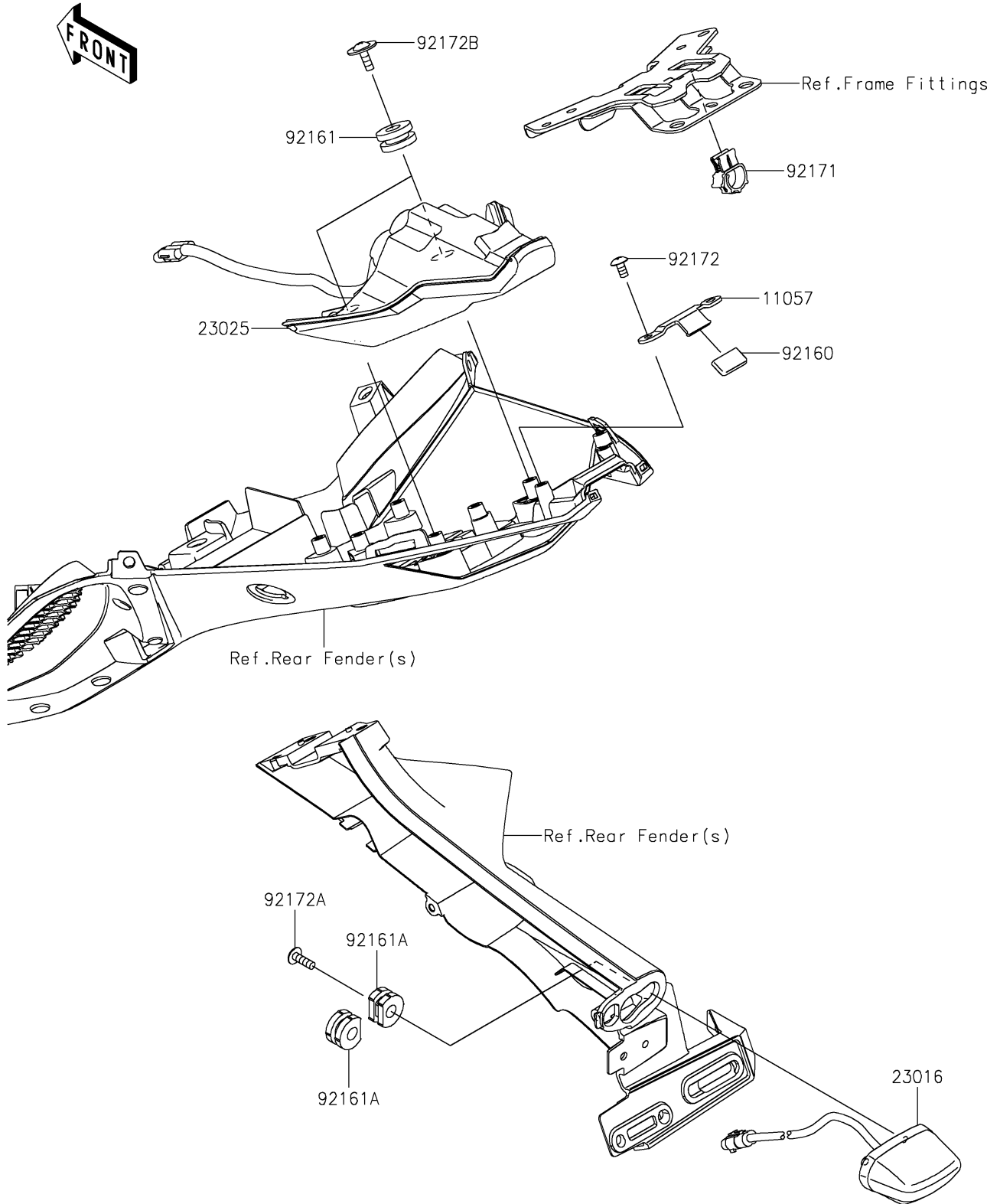


2024 NINJA® 7 HYBRID ABS PARTS DIAGRAM

Taillight(s)

F2720



2024 NINJA® 7 HYBRID ABS PARTS LIST

Taillight(s)

ITEM NAME	PART NUMBER	QUANTITY
BRACKET (Ref # 11057)	11057-1214	1
LAMP-ASSY,LICENSE,LED (Ref # 23016)	23016-0639	1
LAMP-TAIL,LED (Ref # 23025)	23025-0400	1
DAMPER (Ref # 92160)	92160-1190	1
DAMPER (Ref # 92161)	92161-0163	2
DAMPER (Ref # 92161A)	92161-0776	2
CLAMP,EDGE CLIP (Ref # 92171)	92171-1722	1
SCREW,TAPPING,5X10 (Ref # 92172)	92172-0262	2
SCREW,TAPTITE,5X16 (Ref # 92172A)	92172-0481	2
SCREW,5X16 (Ref # 92172B)	92172-1215	2