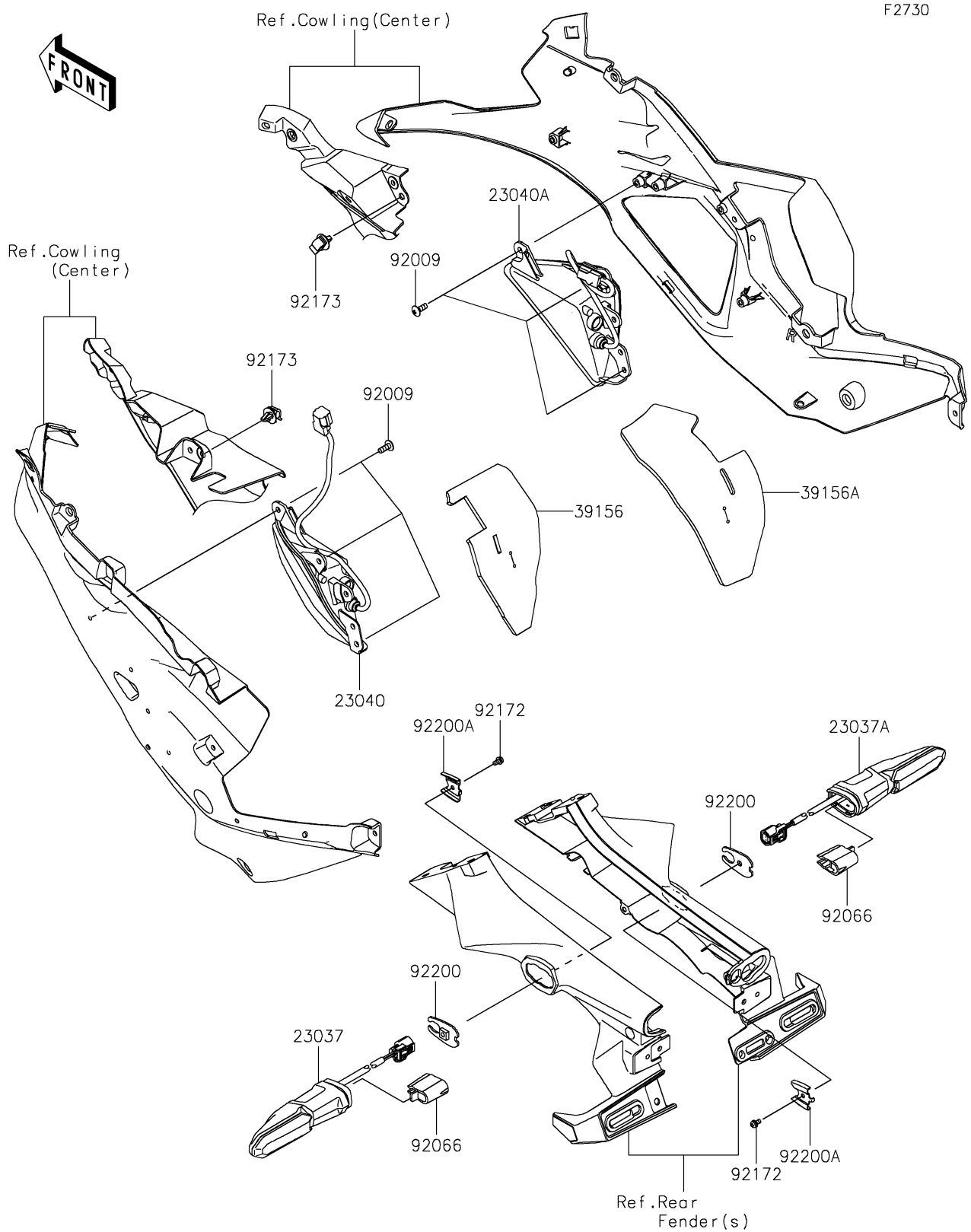


2024 NINJA® 7 HYBRID ABS PARTS DIAGRAM

Turn Signals



2024 NINJA® 7 HYBRID ABS PARTS LIST

Turn Signals

ITEM NAME	PART NUMBER	QUANTITY
LAMP-ASSY-SIGNAL,LED,RR,LH (Ref # 23037)	23037-0565	1
LAMP-ASSY-SIGNAL,LED,RR,RH (Ref # 23037A)	23037-0566	1
LAMP-SIGNAL,LED,FR,LH (Ref # 23040)	23040-0159	1
LAMP-SIGNAL,LED,FR,RH (Ref # 23040A)	23040-0160	1
PAD,FR SIGNAL LAMP,LH (Ref # 39156)	39156-2854	1
PAD,FR SIGNAL LAMP,RH (Ref # 39156A)	39156-2855	1
SCREW,TAPPING,5X14 (Ref # 92009)	92009-1197	6
PLUG,SIGNAL LAMP (Ref # 92066)	92066-0919	2
SCREW-PAN-WP-CROS,4X8 (Ref # 92172)	92172-1426	2
CLAMP,CABLE CLIP (Ref # 92173)	92173-1022	2
WASHER,SIGNAL LAMP (Ref # 92200)	92200-2294	2
WASHER (Ref # 92200A)	92200-2421	2