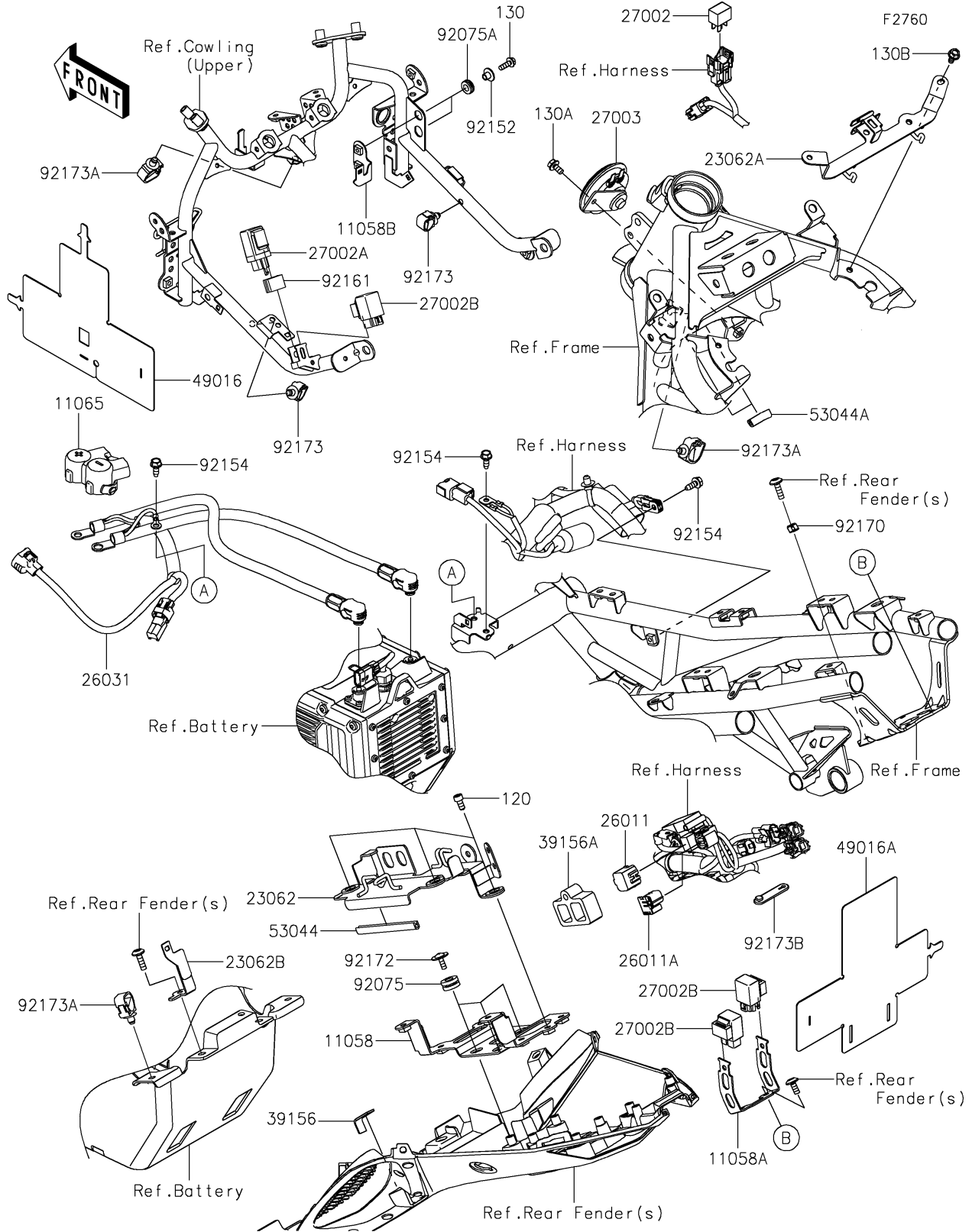


2024 NINJA® 7 HYBRID ABS PARTS DIAGRAM

Chassis Electrical Equipment



2024 NINJA® 7 HYBRID ABS PARTS LIST

Chassis Electrical Equipment

ITEM NAME	PART NUMBER	QUANTITY
BRACKET,ECU,LWR (Ref # 11058)	11058-0640	1
BRACKET,RELAY,RR (Ref # 11058A)	11058-0658	1
BRACKET,RELAY,FR (Ref # 11058B)	11058-1556	1
CAP,MOTOR (Ref # 11065)	11065-1447	1
BRACKET-COMP,ECU,UPP (Ref # 23062)	23062-1376	1
BRACKET-COMP,CONNECTOR (Ref # 23062A)	23062-1377	1
BRACKET-COMP,FUSE BOX (Ref # 23062B)	23062-1504	1
WIRE-LEAD,CONNECTOR COVER (Ref # 26011)	26011-0275	1
WIRE-LEAD,DIAG CONNECTOR (Ref # 26011A)	26011-1901	1
HARNESS,48V BATTERY (Ref # 26031)	26031-4285	1
RELAY-ASSY (Ref # 27002)	27002-0033	1
RELAY-ASSY,SIGNAL LAMP (Ref # 27002A)	27002-0062	1
RELAY-ASSY (Ref # 27002B)	27002-1062	3
HORN (Ref # 27003)	27003-0124	1
PAD (Ref # 39156)	39156-2170	1
PAD,DIAGNOSTIC CONNECTOR (Ref # 39156A)	39156-2685	1
COVER-SEAL,FR RELAY (Ref # 49016)	49016-0718	1
COVER-SEAL,RR RELAY (Ref # 49016A)	49016-0719	1
TRIM (Ref # 53044)	53044-0564	1
TRIM,9X6.5X30 (Ref # 53044A)	53044-0632	2
DAMPER (Ref # 92075)	92075-1880	3
DAMPER (Ref # 92075A)	92075-2097	2
COLLAR,5.2X7.5X8.2 (Ref # 92152)	92152-1880	2
BOLT,FLANGED,6X16 (Ref # 92154)	92154-0551	3
DAMPER,15X25X8.5 (Ref # 92161)	92161-1443	1
CLAMP (Ref # 92170)	92170-1514	1
SCREW,5X16 (Ref # 92172)	92172-1215	3
CLAMP,12MM DIA. (Ref # 92173)	92173-0736	2
CLAMP (Ref # 92173A)	92173-0861	3

2024 NINJA® 7 HYBRID ABS PARTS LIST

Chassis Electrical Equipment

ITEM NAME	PART NUMBER	QUANTITY
CLAMP (Ref # 92173B)	92173-2198	1
BOLT-SOCKET,6X12 (Ref # 120)	120CA0612	3
BOLT-FLANGED,5X16 (Ref # 130)	130BA0516	2
BOLT-FLANGED,6X12 (Ref # 130A)	130BA0612	1
BOLT-FLANGED,6X12 (Ref # 130B)	130CA0612	2