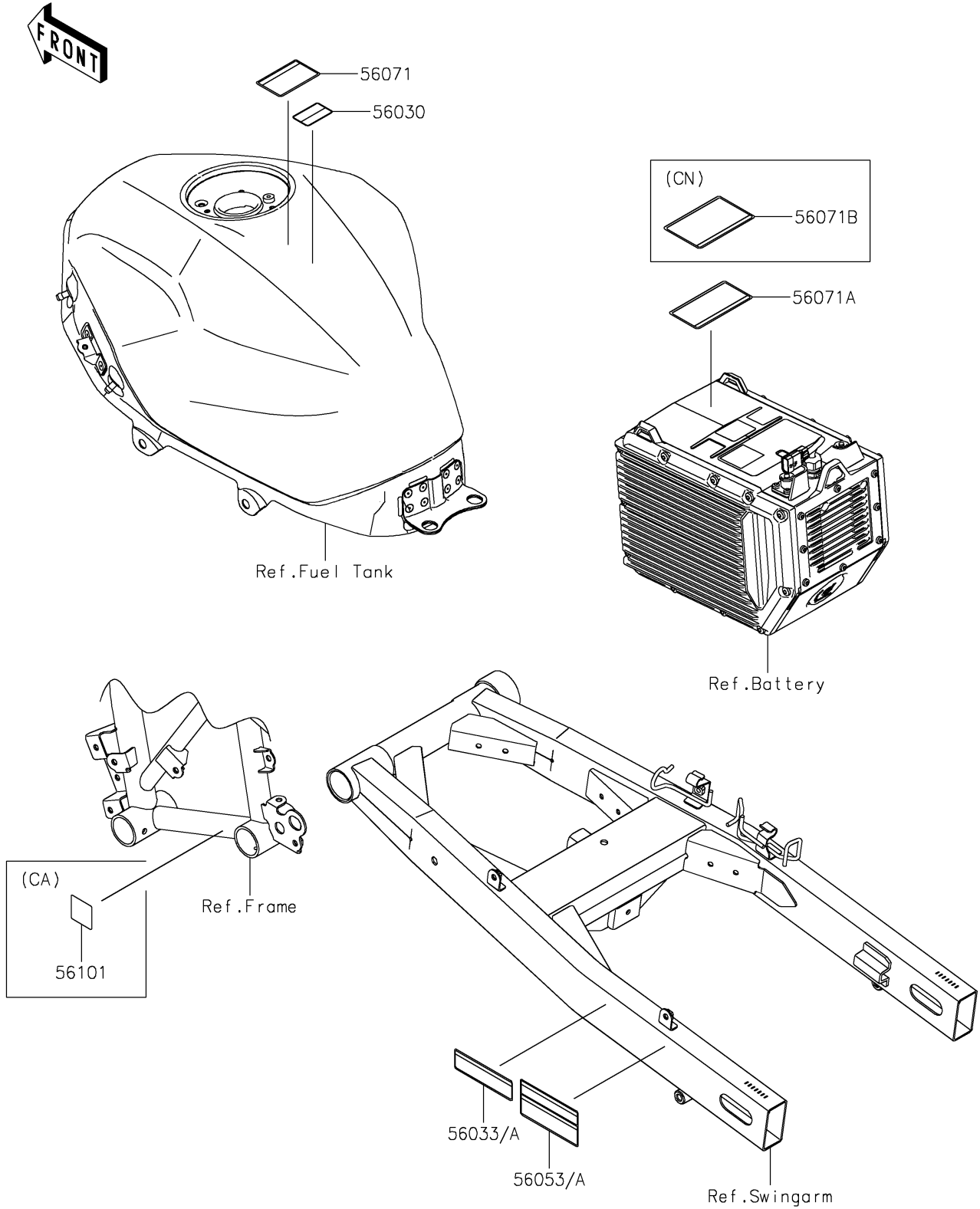


2024 NINJA® 7 HYBRID ABS PARTS DIAGRAM

Labels

F2860



2024 NINJA® 7 HYBRID ABS PARTS LIST

Labels

ITEM NAME	PART NUMBER	QUANTITY
LABEL,GASOLINE (Ref # 56030)	56030-0357	1
LABEL-MANUAL,CHAIN (Ref # 56033)	56033-0850	1
LABEL-MANUAL,CHAIN (Ref # 56033A)	56033-0853	1
LABEL-SPECIFICATION,TIRE&LOAD (Ref # 56053)	56053-2101	1
LABEL-SPECIFICATION,TIRE&LOAD (Ref # 56053A)	56053-2195	1
LABEL-WARNING,EVAPO (Ref # 56071)	56071-0158	1
LABEL-WARNING,BATTERY (Ref # 56071A)	56071-1154	1
LABEL-WARNING,BATTERY (Ref # 56071B)	56071-1219	1
LABEL-CERTIFICATION,EVAPO (Ref # 56101)	56101-0512	1